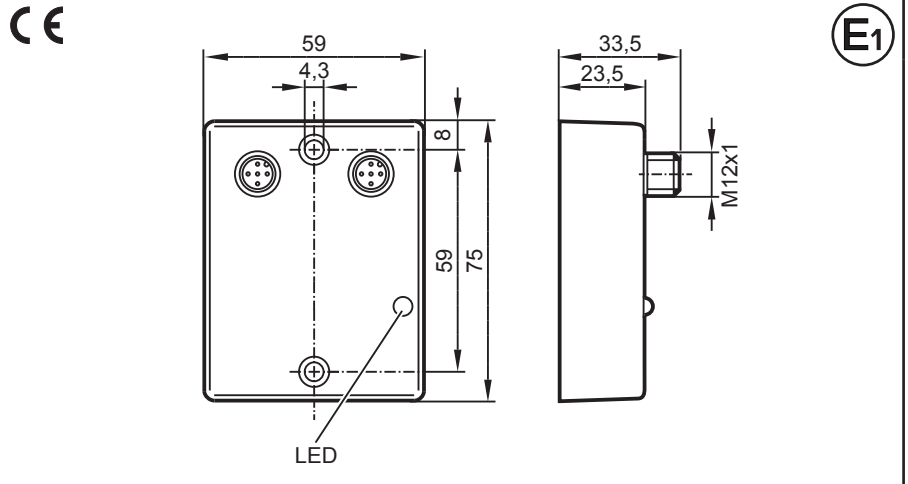


CR3130

CANwireless
mit integrierter Antenne
CAN-WLAN/Bluetooth-
Schnittstelle
WLAN-Frequenzbänder
2,4 GHz und 5 GHz
8...32 V DC



Technische Daten

Elektrische Daten

Betriebsspannung U_B

8...32 V DC

Stromaufnahme

≤ 60 mA (bei 24 V DC)

Status-LED

1 x 2-farbig (rot / grün)

CAN-Schnittstelle

Profil

CAN Interface 2.0 A/B, ISO 11898-2

Protokoll

CANopen, CAN Layer 2, J1939

CAN Empfangspuffer

2048 Nachrichten

CAN zu Wireless Puffergröße

2048 Nachrichten

WLAN

Frequenzband

2,4 / 5 GHz

Protokoll

IEEE 802.11 a/b/g/n, IEEE 802.11 d/e/i/h

Sicherheitsstandard

WPA2-PSK, WPA-PSK, WEP64, WEP128, LEAP, PEAP

Reichweite

≤ 75 m

Funktionen

WLAN-Bridge (Infrastructure Modus)
WLAN-Interface (Infrastructure Modus oder Mini Access Point Modus)

Übertragungsgeschwindigkeit ¹⁾

1600 CAN-Nachrichten pro Sekunde

Durchschnittliche Latenzzeit ²⁾

≤ 20 ms (WLAN-Bridge)

Bluetooth

Standard

Bluetooth Classic (2.1 + EDR)

Profil

SPP (Serial Port Profile)

Reichweite

≤ 75 m

Funktionen

Bluetooth-Bridge
Bluetooth-Interface

Übertragungsgeschwindigkeit ¹⁾

4000 CAN-Nachrichten pro Sekunde

Durchschnittliche Latenzzeit ²⁾

≤ 20 ms (Bluetooth-Bridge)



CR3130	Technische Daten																
Software																	
Gerätekonfiguration	ifm Maintenance Tool oder CODESYS mit EDS-Datei																
Hinweis	weitere Informationen siehe www.ifm.com → CR3130																
Mechanische Daten																	
Umgebungstemperatur	-30...75° C																
Schutzart	IP 67																
Gehäusematerial	Polyamid (schwarz)																
Gewicht	0,060 kg																
Prüfnormen und Bestimmungen																	
CE	EN 60950-1 EN 301489-1 V1.9.2 EN 301489-17 V2.2.1 EN 61000-6-2 EN 61000-6-3 EN 300328 V1.9.1 EN 301893 V1.8.1																
E1	UN/ECE-R10																
FCC	FCC Part 15/47 CFR Conducted Limits FCC Part 15/47 CFR Radiated Emission Limits regarding Part 15 of the FCC rules (Class B digital devices)																
Anschlussbelegung																	
CAN / Versorgung M12-Stecker, 5-polig		<table border="1"> <tr> <td>1</td> <td>GND</td> <td>Ground</td> </tr> <tr> <td>2</td> <td>U_B</td> <td>Versorgung</td> </tr> <tr> <td>3</td> <td>nicht belegt</td> <td>nicht belegt</td> </tr> <tr> <td>4</td> <td>CAN_H</td> <td>CAN-Schnittstelle (High)</td> </tr> <tr> <td>5</td> <td>CAN_L</td> <td>CAN-Schnittstelle (Low)</td> </tr> </table>	1	GND	Ground	2	U _B	Versorgung	3	nicht belegt	nicht belegt	4	CAN_H	CAN-Schnittstelle (High)	5	CAN_L	CAN-Schnittstelle (Low)
1	GND	Ground															
2	U _B	Versorgung															
3	nicht belegt	nicht belegt															
4	CAN_H	CAN-Schnittstelle (High)															
5	CAN_L	CAN-Schnittstelle (Low)															
RS-232 M12-Stecker, 5-polig		<table border="1"> <tr> <td>1</td> <td>GND</td> <td>Ground</td> </tr> <tr> <td>2</td> <td>nicht belegt</td> <td>nicht belegt</td> </tr> <tr> <td>3</td> <td>DSR</td> <td>Data Set Ready (Boot)</td> </tr> <tr> <td>4</td> <td>RxD</td> <td>RS-232 Receive (Eingang)</td> </tr> <tr> <td>5</td> <td>TxD</td> <td>RS-232 Transmit (Ausgang)</td> </tr> </table>	1	GND	Ground	2	nicht belegt	nicht belegt	3	DSR	Data Set Ready (Boot)	4	RxD	RS-232 Receive (Eingang)	5	TxD	RS-232 Transmit (Ausgang)
1	GND	Ground															
2	nicht belegt	nicht belegt															
3	DSR	Data Set Ready (Boot)															
4	RxD	RS-232 Receive (Eingang)															
5	TxD	RS-232 Transmit (Ausgang)															
Hinweise	¹⁾ bei CAN-Nachrichten und 1 MBit/s ²⁾ bei Übertragung einer einzelnen CAN-Nachricht																



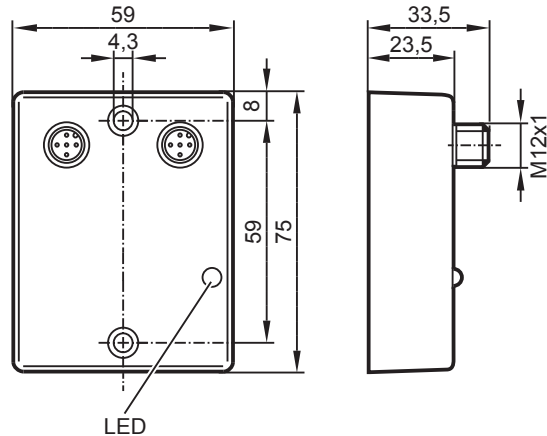
CR3130

CANwireless
with integrated antenna

CAN Wi-Fi/Bluetooth
interface

Wi-Fi frequency bands
2.4 GHz and 5 GHz

8...32 V DC



Technical data

Electrical data

Operating voltage U_B

8...32 V DC

Current consumption

≤ 60 mA (at 24 V DC)

Status LED

1 x 2 colours (red / green)

CAN interface

Profile

CAN interface 2.0 A/B, ISO 11898-2

Protocol

CANopen, CAN Layer 2, J1939

CAN receive buffer

2048 messages

CAN to Wi-Fi buffer size

2048 messages

Wi-Fi

Frequency band

2.4 / 5 GHz

Protocol

IEEE 802.11 a/b/g/n, IEEE 802.11 d/e/i/h

Safety standard

WPA2-PSK, WPA-PSK, WEP64, WEP128, LEAP, PEAP

Range

≤ 75 m

Functions

Wi-Fi bridge (infrastructure mode)
Wi-Fi interface (infrastructure mode or mini access point mode)

Transmission rate ¹⁾

1600 CAN messages per second

Average latency time ²⁾

≤ 20 ms (Wi-Fi bridge)

Bluetooth

Standard

Bluetooth Classic (2.1 + EDR)

Profile

SPP (Serial Port Profile)

Range

≤ 75 m

Functions

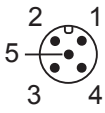
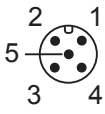
Bluetooth bridge
Bluetooth interface

Transmission rate ¹⁾

4000 CAN messages per second

Average latency time ²⁾

≤ 20 ms (Bluetooth bridge)

CR3130	Technical data																
Software																	
Device configuration	ifm maintenance tool or CODESYS with EDS file																
Remark	For more information see www.ifm.com → CR3130																
Mechanical data																	
Ambient temperature	-30...75 °C																
Protection rating	IP 67																
Housing material	polyamide (black)																
Weight	0.060 kg																
Test standards and regulations																	
CE	EN 60950-1 EN 301489-1 V1.9.2 EN 301489-17 V2.2.1 EN 61000-6-2 EN 61000-6-3 EN 300328 V1.9.1 EN 301893 V1.8.1																
E1	UN/ECE-R10																
FCC	FCC Part 15/47 CFR Conducted Limits FCC Part 15/47 CFR Radiated Emission Limits regarding Part 15 of the FCC rules (Class B digital devices)																
Wiring																	
CAN / supply M12 connector, 5 poles		<table border="1"> <tr> <td>1</td> <td>GND</td> <td>Ground</td> </tr> <tr> <td>2</td> <td>U_B</td> <td>Supply</td> </tr> <tr> <td>3</td> <td>Not connected</td> <td>Not connected</td> </tr> <tr> <td>4</td> <td>CAN_H</td> <td>CAN interface (high)</td> </tr> <tr> <td>5</td> <td>CAN_L</td> <td>CAN interface (low)</td> </tr> </table>	1	GND	Ground	2	U _B	Supply	3	Not connected	Not connected	4	CAN_H	CAN interface (high)	5	CAN_L	CAN interface (low)
1	GND	Ground															
2	U _B	Supply															
3	Not connected	Not connected															
4	CAN_H	CAN interface (high)															
5	CAN_L	CAN interface (low)															
RS-232 M12 connector, 5 poles		<table border="1"> <tr> <td>1</td> <td>GND</td> <td>Ground</td> </tr> <tr> <td>2</td> <td>Not connected</td> <td>Not connected</td> </tr> <tr> <td>3</td> <td>DSR</td> <td>Data Set Ready (boot)</td> </tr> <tr> <td>4</td> <td>RxD</td> <td>RS-232 receive (input)</td> </tr> <tr> <td>5</td> <td>TxD</td> <td>RS-232 transmit (output)</td> </tr> </table>	1	GND	Ground	2	Not connected	Not connected	3	DSR	Data Set Ready (boot)	4	RxD	RS-232 receive (input)	5	TxD	RS-232 transmit (output)
1	GND	Ground															
2	Not connected	Not connected															
3	DSR	Data Set Ready (boot)															
4	RxD	RS-232 receive (input)															
5	TxD	RS-232 transmit (output)															
Remarks	¹⁾ for CAN messages and 1 MBit/s ²⁾ for transmission of a single CAN message																