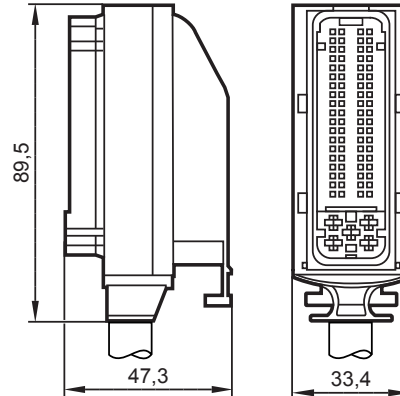




EC0710

Anschlusskabel
AMP 81-polig
A-codiert
58 Adern

konfektioniert
Kabellänge 250 cm



Darstellung
in montiertem Zustand

Technische Daten

Kabel

Leitungstyp

Kabellänge

Schutzschlauch

Schlauchdurchmesser

Material der Isolation

Temperaturbereich

Betriebsspannung

Adergruppierung
(jeweils mit Kabelbinder gebunden)

**z.B. geeignet für
ecomatController M30710**

FLRY-B 0,5 / 0,75 / 2,5
(symmetrischer Aufbau, flexibel)
gem. Normen DIN 72551, Teil 5/6 und DIN ISO 6722

2,50 m

PVC-Schlauch, schwarz, Länge: 80 cm

≤ 25 mm

PVC

-40...105 °C

30 V AC / 36 V DC

- 1 1-VBB2 (rot,2,5 mm²), 2-GND2 (braun,2,5 mm²), 3-VBB1 (rot,2,5 mm²), 4-VBB0 (rot,2,5 mm²), 5-GND1 (braun,2,5 mm²), 15-VBB15 (rot, 0,75 mm²), 29-GND-SYS (braun, 0,75 mm²), 30-VBB30 (rot, 0,75 mm²), 33-GND-OVA (braun, 0,75 mm²), 52-GND-RES (braun, 0,75 mm²), 71-GND-ANA (braun, 0,75 mm²), 72-RESET-COM (weiß,0,5 mm²)
- 2 34-CAN3 (weiß,0,5 mm²) und 35-CAN3 (weiß,0,5 mm²) verdreht, 48-CAN0 (weiß,0,5 mm²) und 49-CAN0 (weiß,0,5 mm²) verdreht, 50-CAN1 (weiß,0,5 mm²) und 51-CAN1 (weiß,0,5 mm²) verdreht, 53-CAN2 (weiß,0,5 mm²) und 54-CAN2 (weiß,0,5 mm²) verdreht
- 3 25-IN0000 (weiß,0,5 mm²), 26-IN0001 (weiß,0,5 mm²), 27-IN0002 (weiß,0,5 mm²), 28-IN0003 (weiß,0,5 mm²)
- 4 38-IN0900 (weiß,0,5 mm²), 39-IN0901 (weiß,0,5 mm²), 40-IN0500 (weiß,0,5 mm²), 41-IN0501 (weiß,0,5 mm²), 42-IN0502 (weiß,0,5 mm²), 43-IN0503 (weiß,0,5 mm²)
- 5 46-IN0400 (weiß,0,5 mm²), 47-IN0401 (weiß,0,5 mm²)
- 6 55-IN0600 (weiß,0,5 mm²), 56-IN0601 (weiß,0,5 mm²), 57-IN0602 (weiß,0,5 mm²), 58-IN0603 (weiß,0,5 mm²)
- 7 63-IN0100 (weiß,0,5 mm²), 64-IN0101 (weiß,0,5 mm²), 65-IN0102 (weiß,0,5 mm²), 66-IN0103 (weiß,0,5 mm²)
- 8 6-OUT0100 (blau,0,75 mm²), 7-OUT0101 (blau,0,75 mm²), 8-OUT0102 (blau,0,75 mm²), 9-OUT0103 (blau,0,75 mm²), 10-OUT0104 (blau,0,75 mm²), 11-OUT0105 (blau,0,75 mm²), 12-OUT0106 (blau,0,75 mm²), 13-OUT0107 (blau,0,75 mm²)
- 9 16-OUT0000 (blau,0,75 mm²), 17-OUT0001 (blau,0,75 mm²), 18-OUT0002 (blau,0,75 mm²), 19-OUT0003 (blau,0,75 mm²), 20-OUT0004 (blau,0,75 mm²), 21-OUT0005 (blau,0,75 mm²), 22-OUT0006 (blau,0,75 mm²), 23-OUT0007 (blau,0,75 mm²)
- 10 31-OUT3000 (blau,0,75 mm²), 32-OUT3001 (blau,0,75 mm²)

EC0710	Technische Daten
Stecker	
Typ	81-polig, verriegelbar und verpolsicher Typ AMP Kontakte AMP-Junior-Timer, Crimp-Anschluss
Schutzart	IP 67
Material	PBT-GF15
Farbe	schwarz / schwarz



EC0710

Connection cable
AMP 81-pole
A-coded
58 cores
Wired
Cable length 250 cm

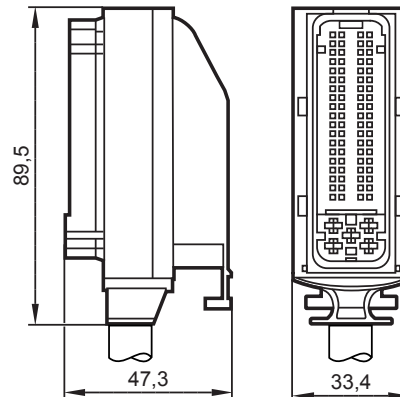


Illustration when mounted

Technical data

Cable

Cable type

Cable length

Protective sheath

Sheath diameter

Insulation material

Temperature range

Operating voltage

Core arrangement
(tied with cable ties)

e.g. suitable for
ecomatController M30710

FLRY-B 0.5 / 0.75 / 2.5
(symmetrical design, flexible)
according to standards DIN 72551, parts 5/6 and DIN ISO 6722

2.50 m

PVC tube, black, length: 80 cm

≤ 25 mm

PVC

-40...105 °C

30 V AC / 36 V DC

- 1 1-VBB2 (red,2.5 mm²), 2-GND2 (brown,2.5 mm²), 3-VBB1 (red,2.5 mm²), 4-VBB0 (red,2.5 mm²), 5-GND1 (brown,2.5 mm²), 15-VBB15 (red, 0.75 mm²), 29- GND-SYS (brown, 0.75 mm²), 30-VBB30 (red, 0.75 mm²), 33-GND-OVA (brown, 0.75 mm²), 52-GND RES (brown, 0.75 mm²), 71-GND-ANA (brown, 0.75 mm²), 72-RESET-COM (white,0.5 mm²)
- 2 34-CAN3 (white,0.5 mm²) and 35-CAN3 (white,0.5 mm²) twisted, 48-CAN0 (white,0.5 mm²) and 49-CAN0 (white,0.5 mm²) twisted, 50-CAN1 (white,0.5 mm²) and 51-CAN1 (white,0.5 mm²) twisted, 53-CAN2 (white,0.5 mm²) and 54-CAN2 (white,0.5 mm²) twisted
- 3 25-IN0000 (white,0.5 mm²), 26-IN0001 (white,0.5 mm²), 27-IN0002 (white,0.5 mm²), 28-IN0003 (white,0.5 mm²)
- 4 38-IN0900 (white,0.5 mm²), 39-IN0901 (white,0.5 mm²), 40-IN0500 (white,0.5 mm²), 41-IN0501 (white,0.5 mm²), 42-IN0502 (white,0.5 mm²), 43-IN0503 (white,0.5 mm²)
- 5 46-IN0400 (white,0.5 mm²), 47-IN0401 (white,0.5 mm²)
- 6 55-IN0600 (white,0.5 mm²), 56-IN0601 (white,0.5 mm²), 57-IN0602 (white,0.5 mm²), 58-IN0603 (white,0.5 mm²)
- 7 63-IN0100 (white,0.5 mm²), 64-IN0101 (white,0.5 mm²), 65-IN0102 (white,0.5 mm²), 66-IN0103 (white,0.5 mm²)
- 8 6-OUT0100 (blue,0.75 mm²), 7-OUT0101 (blue,0.75 mm²), 8-OUT0102 (blue,0.75 mm²), 9-OUT0103 (blue,0.75 mm²), 10-OUT0104 (blue,0.75 mm²), 11-OUT0105 (blue,0.75 mm²), 12-OUT0106 (blue,0.75 mm²), 13-OUT0107 (blue,0.75 mm²)
- 9 16-OUT0000 (blue,0.75 mm²), 17-OUT0001 (blue,0.75 mm²), 18-OUT0002 (blue,0.75 mm²), 19-OUT0003 (blue,0.75 mm²), 20-OUT0004 (blue,0.75 mm²), 21-OUT0005 (blue,0.75 mm²), 22-OUT0006 (blue,0.75 mm²), 23-OUT0007 (blue,0.75 mm²)
- 10 31-OUT3000 (blue,0.75 mm²), 32-OUT3001 (blue,0.75 mm²)



EC0710	Technical data
Connector	
Type	81 poles, can be locked and protected against reverse polarity type AMP AMP junior timer contacts, crimp connection
Protection rating	IP 67
Material	PBT-GF 15
Colour	black / black



EC0710

Câble de raccordement

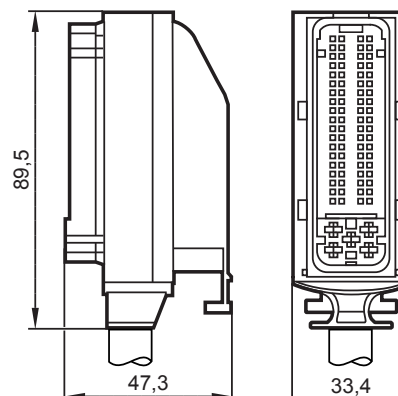
AMP 81 pôles

Codage A

58 fils

prêt à l'emploi

Longueur du câble 250 cm



Représentation
si monté

Données techniques

Câble

Type de câble

Longueur du câble

Gaine protectrice

Diamètre de la gaine

Matière isolante

Plage de température

Tension d'alimentation

Groupement des fils
(groupés par colliers)

par ex. approprié pour
ecomatController M30710

FLRY-B 0,5 / 0,75 / 2,5
(structure symétrique, flexible)
selon les normes DIN 72551, parties 5/6, et DIN ISO 6722

2,50 m

gaine PVC souple, noir, longueur : 80 cm

≤ 25 mm

PVC

-40...105 °C

30 V AC / 36 V DC

- 1 1-VBB2 (rouge,2,5 mm²), 2-GND2 (brun,2,5 mm²), 3-VBB1 (rouge,2,5 mm²), 4-VBB0 (rouge,2,5 mm²), 5-GND1 (brun,2,5 mm²), 15-VBB15 (rouge, 0,75 mm²), 29-GND-SYS (brun, 0,75 mm²), 30-VBB30 (rouge, 0,75 mm²), 33-GND-OVA (brun, 0,75 mm²), 52-GND-RES (brun, 0,75 mm²), 71-GND-ANA (brun, 0,75 mm²), 72-RESET-COM (blanc,0,5 mm²)
- 2 34-CAN3 (blanc,0,5 mm²) et 35-CAN3 (blanc,0,5 mm²) torsadé, 48-CAN0 (blanc,0,5 mm²) et 49-CAN0 (blanc,0,5 mm²) torsadé, 50-CAN1 (blanc,0,5 mm²) et 51-CAN1 (blanc,0,5 mm²) torsadé, 53-CAN2 (blanc,0,5 mm²) et 54-CAN2 (blanc,0,5 mm²) torsadé
- 3 25-IN0000 (blanc,0,5 mm²), 26-IN0001 (blanc,0,5 mm²), 27-IN0002 (blanc,0,5 mm²), 28-IN0003 (blanc,0,5 mm²)
- 4 38-IN0900 (blanc,0,5 mm²), 39-IN0901 (blanc,0,5 mm²), 40-IN0500 (blanc,0,5 mm²), 41-IN0501 (blanc,0,5 mm²), 42-IN0502 (blanc,0,5 mm²), 43-IN0503 (blanc,0,5 mm²)
- 5 46-IN0400 (blanc,0,5 mm²), 47-IN0401 (blanc,0,5 mm²)
- 6 55-IN0600 (blanc,0,5 mm²), 56-IN0601 (blanc,0,5 mm²), 57-IN0602 (blanc,0,5 mm²), 58-IN0603 (blanc,0,5 mm²)
- 7 63-IN0100 (blanc,0,5 mm²), 64-IN0101 (blanc,0,5 mm²), 65-IN0102 (blanc,0,5 mm²), 66-IN0103 (blanc,0,5 mm²)
- 8 6-OUT0100 (bleu,0,75 mm²), 7-OUT0101 (bleu,0,75 mm²), 8-OUT0102 (bleu,0,75 mm²), 9-OUT0103 (bleu,0,75 mm²), 10-OUT0104 (bleu,0,75 mm²), 11-OUT0105 (bleu,0,75 mm²), 12-OUT0106 (bleu,0,75 mm²), 13-OUT0107 (bleu,0,75 mm²)
- 9 16-OUT0000 (bleu,0,75 mm²), 17-OUT0001 (bleu,0,75 mm²), 18-OUT0002 (bleu,0,75 mm²), 19-OUT0003 (bleu,0,75 mm²), 20-OUT0004 (bleu,0,75 mm²), 21-OUT0005 (bleu,0,75 mm²), 22-OUT0006 (bleu,0,75 mm²), 23-OUT0007 (bleu,0,75 mm²)
- 10 31-OUT3000 (bleu,0,75 mm²), 32-OUT3001 (bleu,0,75 mm²)

**EC0710****Données techniques****Connecteur**

Type

81 pôles, verrouillable et protégé contre l'inversion de polarité
type AMP
contacts AMP Junior Timer, raccordement crimp

Indice de protection

IP 67

Matière

PBT-GF15

Couleur

noir / noir