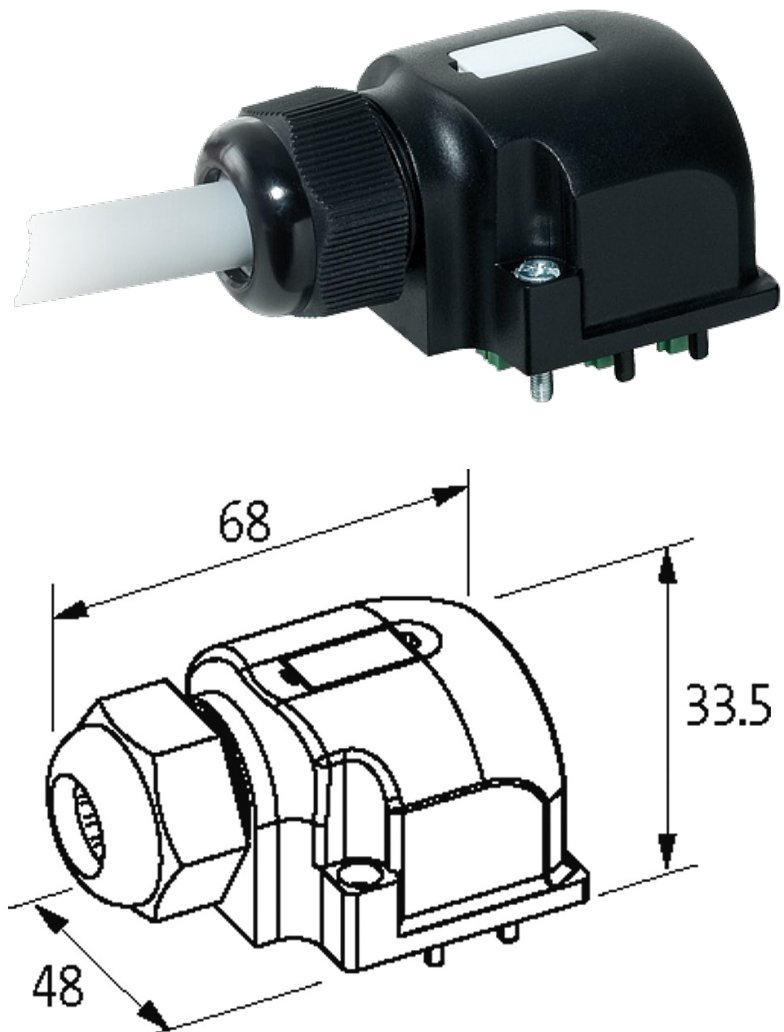


CAP FOR D-BOX M12 8-WAY 5-POLE

No pot.-sep. 3m PUR/PVC-JB, 16x0,34+3x0,75

for 8-way distribution boxes, 5-pole
PUR/PVC
3.0 m
New Art.-No. 8000-88559-3980300

Plastic housings with good resistance against chemicals and oils. The resistance to aggressive media should be individually tested for your application. Further details on request.

[Link to Product](#)**Illustration**

Product may differ from Image

Approvals



| Cables | |
|------------------------------------|--|
| Cable number | 398 |
| No./diameter of wires | 16×0.34 + 3×0.75 mm ² |
| Wire isolation | PVC |
| C-track properties | 2 Mio. |
| Jacket Color | gray |
| Material (jacket) | PUR/PVC (UL/CSA) |
| Outer Ø | 10.0 mm ±5% |
| Bend radius (moving) | 10 × outer Ø |
| Temperature range (fixed) | -30...+80 °C |
| Cable identification | 398 |
| Cable Type | 2 (PUR/PVC) |
| Approval (cable) | UL (AWM-Style 21441/10955), CE conform |
| Cable weight [g/m] | 165,0 |
| Material (wire) | Cu wire, bare |
| Resistor (core) | max. 57 Ω/km (0.34 mm ²), max. 26 Ω/km (0.75 mm ²); (20 °C) |
| Single wire Ø (core) | 0.15 mm |
| Diameter (core) | 16×0.34 + 3×0.75 mm ² |
| AWG | similar to AWG 22 (0.34 mm ²); similar to AWG 19 (0.75 mm ²) |
| Material (wire isolation) | PVC |
| Material property (wire isolation) | CFC-, cadmium-, silicone- and lead-free |
| Wire-Ø incl. isolation | 1.3 mm ±5% (0.34 mm ²); 1.8 mm ±5% (0.75 mm ²) |
| Color/numbering of wires | wh, grpk, brgn, ye, whgn, gn, rdbl, vi, grbr, bk, whgr, rd, yebr, pk, whye, gr+bl, br, gnye longitudinally striped |
| Shield | no |
| Material (jacket) | PUR/PVC |
| Shore hardness (jacket) | 85 ±5 A |
| Outer-Ø (jacket) | 10.0 mm ±5% |
| Color (jacket) | gray |
| chemical resistance | good resistance to oil, gasoline and chemicals (EN 60811-404) |
| Nominal voltage | U0/U 300/300 V AC |
| Test voltage | 2 000 V AC |
| Current load capacity | to DIN VDE 0298-4 |
| Temperature range (fixed) | -30...+80 °C |
| Bend radius (moving) | 10 × outer Ø |
| No. of bending cycles (C-track) | max. 2 Mio. (25 °C) |

Technical Data

The information in this brochure has been compiled with the utmost care.

Liability for the correctness completeness and topicality of the information is restricted to gross negligence. Version: 03/19

Murrelektronik GmbH | Falkenstraße 3 | 71570 Oppenweiler | Fon +49 (71 91) 47-0 | Fax +49 (71 91) 47-491000 | shop@murrelektronik.com | shop.murrelektronik.com

Total current max. 8 A

General data

Dimensions H x W x D 33x48x68 mm

old articlenumber 8000-88559-3980300

Commercial data

country of origin CZ

customs tariff number 85444290

EAN 4048879058339

eClass 27143423

Packaging unit 1