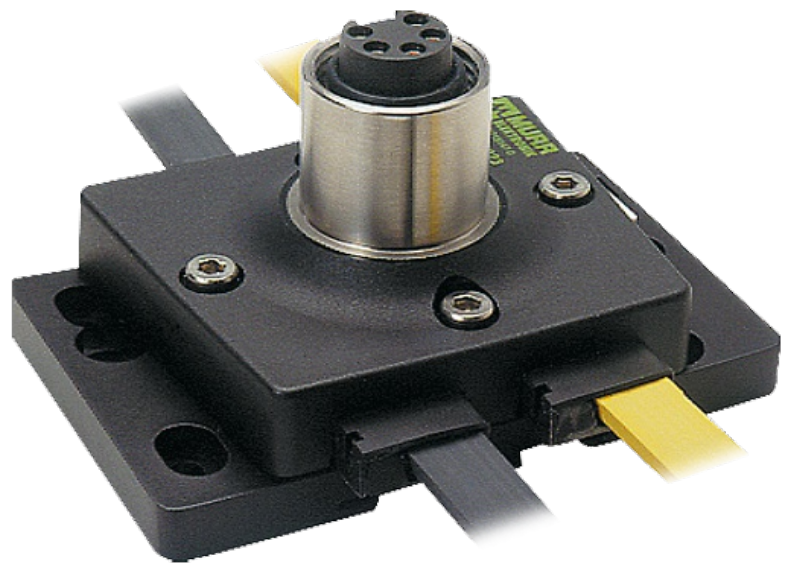


MASI67 INSTALLATION TECHNOLOGY

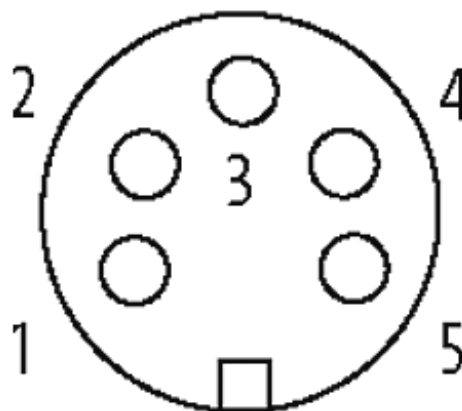
Converter 2x profile cable to 7/8" female

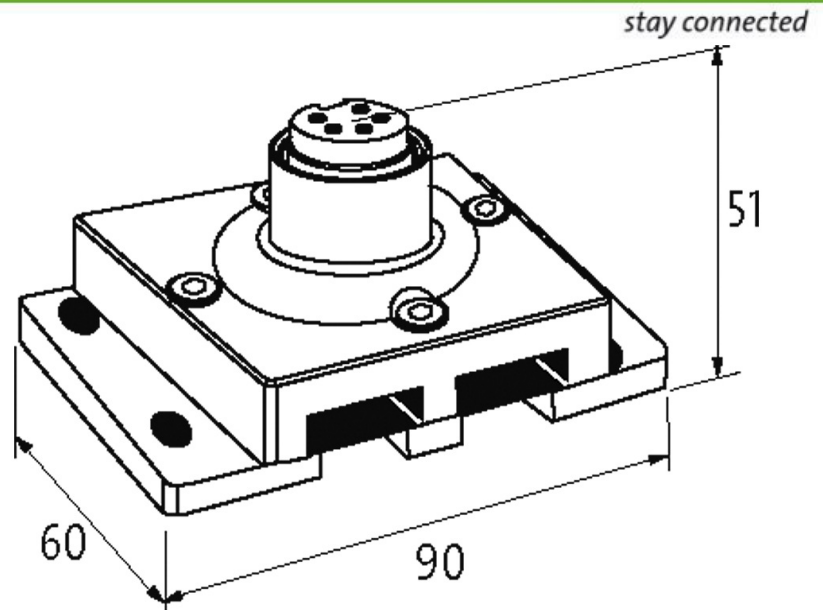
MASI67 converter
2 x profile cable to 7/8" (female)

Connection cables are in the online shop under "Connection Technology".

[Link to Product](#)**Illustration**

Female





Product may differ from Image

Approvals



Contact Layout

PIN 1	AS-Interface + (brown)
PIN 2	AS-Interface - (blue)
PIN 3	n.c.
PIN 4	+24 V (brown)
PIN 5	0 V (blue)

Technical Data

Operating voltage	max. 36 V DC
Total current	max. 8 A

General data

Test isolation voltage	AS-Interface/Power 200 V, (EN 60664-1)
Protection	IP67
Mounting method	DIN-rail mountable (EN 60715) or screw fixing
Temperature range	-20...+60 °C (storage temperature -40...+80 °C)
Dimensions H × W × D	90×74×52 mm

Commercial data

country of origin	DE
customs tariff number	85369010
EAN	4048879052160
eClass	27400209
Packaging unit	1

The information in this brochure has been compiled with the utmost care.

Liability for the correctness completeness and topicality of the information is restricted to gross negligence. Version: 03/19

Murrelektronik GmbH | Falkenstraße 3 | 71570 Oppenweiler | Fon +49 (71 91) 47-0 | Fax +49 (71 91) 47-491000 | shop@murrelektronik.com | shop.murrelektronik.com

