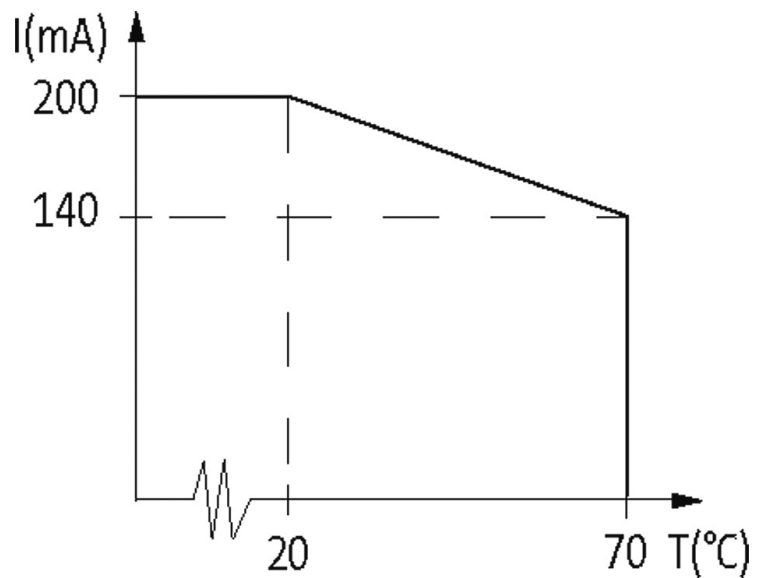


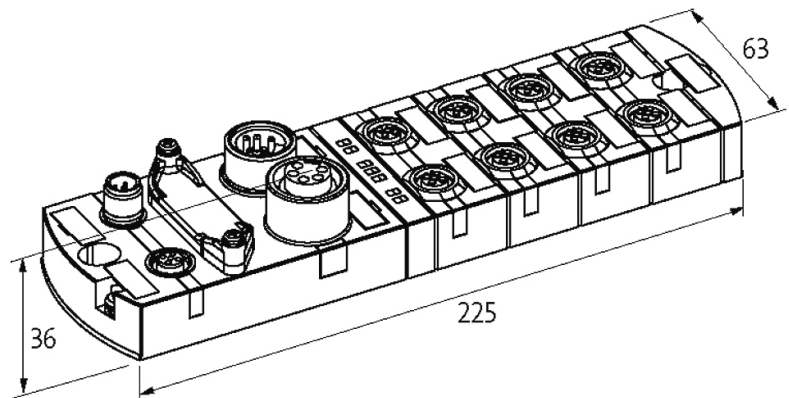
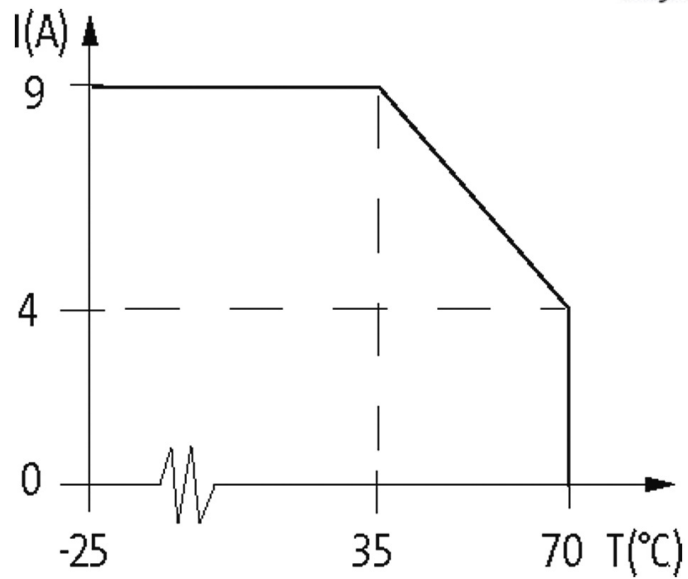
**IMPACT67 COMPACT MODULE, PLASTIC**

DeviceNet, 8 dig. In + 8 dig. Out

Digital inputs/outputs  
DI8/DO8 - 2 A

Connection cables are in the online shop under "Connection Technology". Housing fully potted.

[Link to Product](#)**Illustration**



Product may differ from Image

### Approvals



### More Info

DeviceNet

### Input

Sensor supply US	24 V DC (EN 61131-2), max. 200 mA (M12 female), short-circuit and overload protected
Type	for 3-wire sensors or mechanical switches, PNP

### Connections

Fieldbus	DN 125 kbit/s; 250 kbit/s; 500 kbit/s; M12, A-coded
Sensor-system/actuator supply	7/8", 5-pole, 2 × max. 9 A
I/O ports	M12, 5-pole, A-coded

<b>DeviceNet</b>	
Addressing	Rotary switch 0...63
<b>General data</b>	
Protection	IP67
Mounting method	2 hole screw mounting, compatible with I/O modules of MVK model range
Temperature range	-25...+70 °C (storage temperature -25...+70 °C)
Dimensions H x W x D	39x63x225 mm
<b>Output</b>	
Switching current per output	max. 2 A (short-circuit and overload protected)
<b>Diagnostic</b>	
Communication status	via LED
Diagnostic via LED	per module and channel
Diagnostic via BUS	per module and channel
Monitoring - under voltage	yes
Monitoring - no voltage	yes
Short-circuit and overload	yes
<b>Commercial data</b>	
country of origin	DE
customs tariff number	85389099
EAN	4048879052061
eClass	27242604
Packaging unit	1