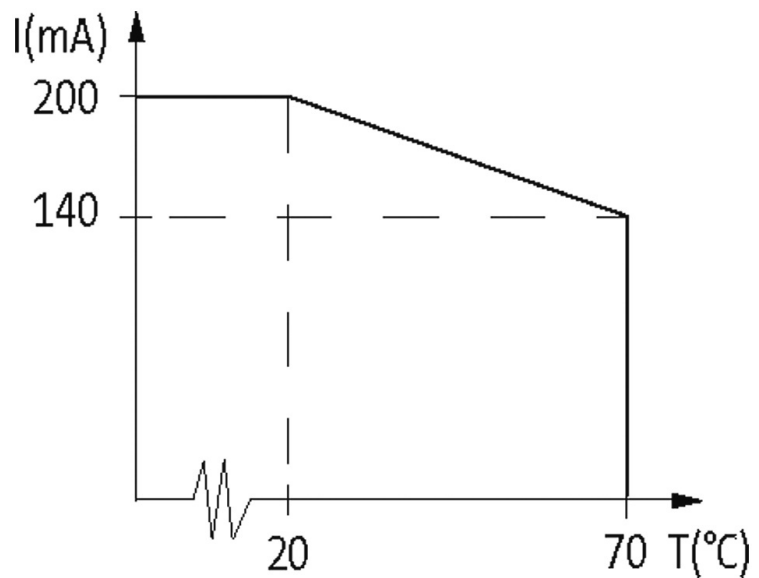


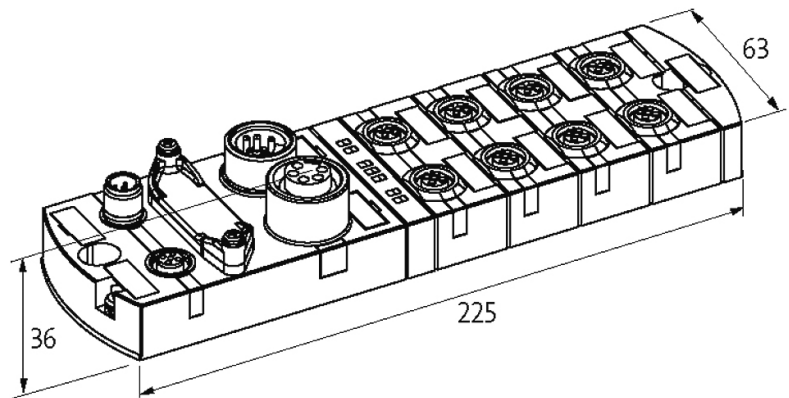
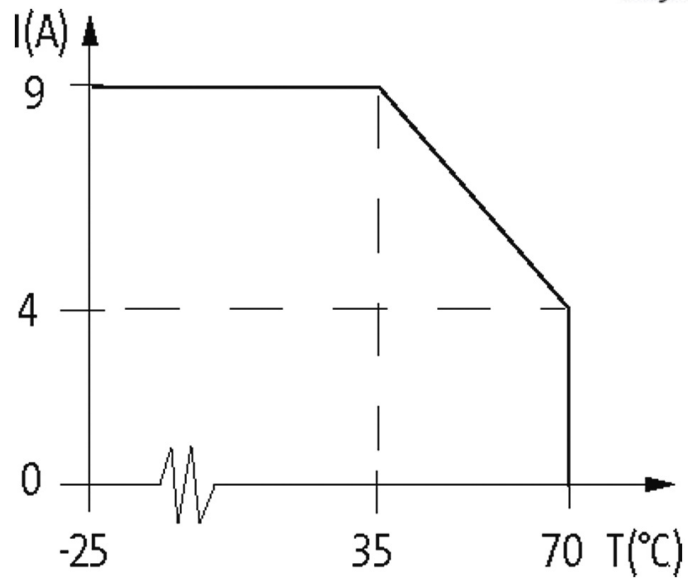
IMPACT67 COMPACT MODULE, PLASTIC

CANopen, 8 dig. In + 8 dig. Out

Digital inputs/outputs
DI8/DO8 - 2 A

Connection cables are in the online shop under "Connection Technology". Housing fully potted.

[Link to Product](#)**Illustration**



Product may differ from Image

Approvals



More Info



Input

Sensor supply US

24 V DC (EN 61131-2), max. 200 mA (M12 female), short-circuit and overload protected

Connections

Fieldbus

CAN 1 Mbit/s; M12, A-coded

Sensor-system/actuator supply

7/8", 5-pole, 2 × max. 9 A

I/O ports

M12, 5-pole, A-coded

CANopen

Addressing Rotary switch 1...99

General data

Protection IP67

Mounting method 2 hole screw mounting, compatible with I/O modules of MVK model range

Temperature range -25...+70 °C (storage temperature -25...+70 °C)

Dimensions H x W x D 39x63x225 mm

Output

Switching current per output max. 2 A (short-circuit and overload protected)

Diagnostic

Communication status via LED

Diagnostic via LED per module and channel

Diagnostic via BUS per module and channel

Monitoring - under voltage yes

Monitoring - no voltage yes

Short-circuit and overload yes

Commercial data

country of origin DE

customs tariff number 85389099

EAN 4048879052023

eClass 27242604

Packaging unit 1