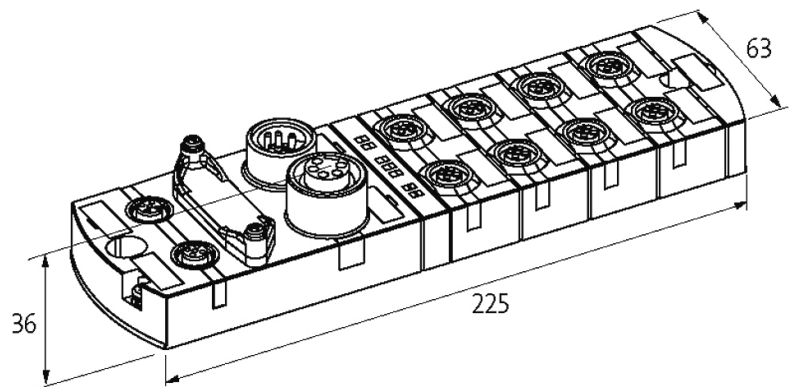


IMPACT67 COMPACT MODULE, PLASTIC

Profinet, 16 dig. In

Digital inputs
DI16

Connection cables are in the online shop under "Connection Technology". Housing fully potted.

[Link to Product](#)**Illustration**

Product may differ from Image

Approvals**More Info**



Input

Sensor supply US	24 V DC (EN 61131-2), max. 200 mA (M12 female), short-circuit and overload protected
Type	for 3-wire sensors or mechanical switches, PNP

Connections

Fieldbus	Ethernet 10/100 Mbit/s; M12, D-coded
Sensor-system/actuator supply	7/8", 5-pole, 2 × max. 9 A
I/O ports	M12, 5-pole, A-coded

General data

Protection	IP67
Mounting method	2 hole screw mounting, compatible with I/O modules of MVK model range
Temperature range	-25...+55 °C (storage temperature -25...+70 °C)
Dimensions H × W × D	39×63×225 mm

PROFINET

Addressing	DCP
------------	-----

Diagnostic

Communication status	via LED
Diagnostic via LED	per module and channel
Diagnostic via BUS	per module
Monitoring - under voltage	yes
Monitoring - no voltage	yes
Short-circuit and overload	yes

Commercial data

country of origin	DE
customs tariff number	85389099
EAN	4048879051910
eClass	27242604
Packaging unit	1