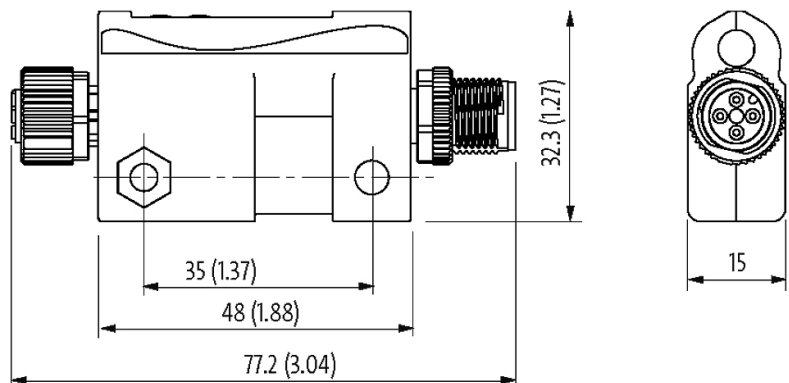
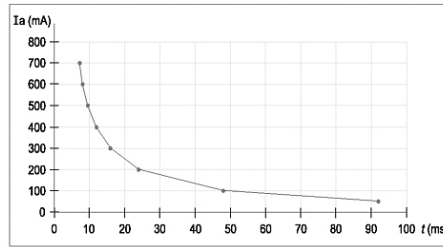


Adaptor M12 Male / M12 Female

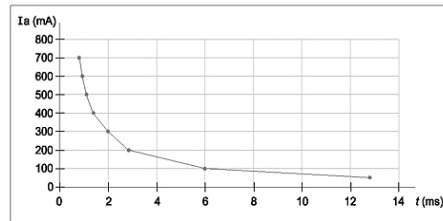
Buffer module for DI (Pin 1-3)

Adapter
Male/female
M12 – M12, 4-pole
max. 700 mA
94 μ F

[Link to Product](#)**Illustration**

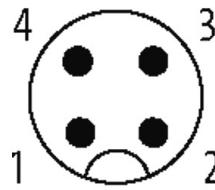


Buffering/Output (24 V to 0 V)



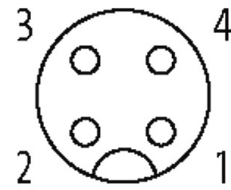
Buffering/Output (24 V to 18 V)

Male



PIN 1: 24 V DC
 PIN 2: Input 1X
 PIN 3: GND
 PIN 4: Input 0X

Female



PIN 1: 24 V DC
 PIN 2: Input 1X
 PIN 3: GND
 PIN 4: Input 0X

Product may differ from Image

Form

Form 55110

Technical Data

Operating voltage 24 V DC external (18...30.2 V DC) EN 61131-2

Protection IP67 inserted and tightened (EN 60529)

Total current max. 700 mA

Capacity 94 µF

General data

Temperature range -30...+70 °C (storage temperature -40...+85 °C)

Relative humidity ≤ 85%

Commercial data

country of origin DE

customs tariff number	85322100
EAN	4048879713467
eClass	27143423
Packaging unit	1