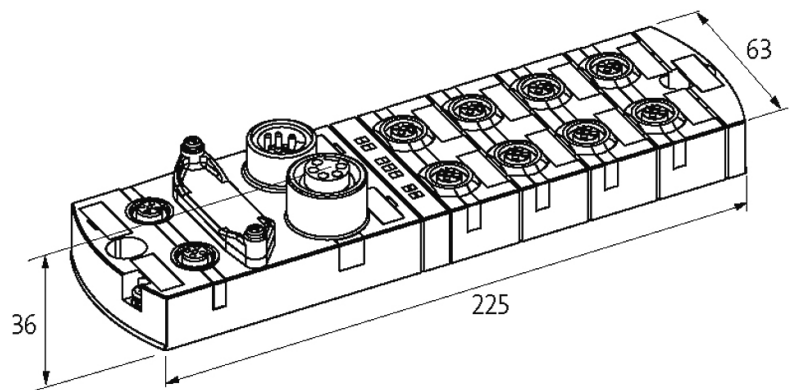


Impact67 PN DIO16 IRT 7/8" 5pin

Digital inputs/outputs
DIO16 (IRT)
M12, D-coded

Connection cables are in the online shop under "Connection Technology". Housing fully potted.

[Link to Product](#)**Illustration**

Product may differ from Image

Approvals**More Info**

Input	
Sensor supply US	24 V DC (EN 61131-2), max. 200 mA (M12 female), short-circuit and overload protected
Type	for 3-wire sensors or mechanical switches, PNP
Connections	
Fieldbus	Ethernet 10/100 Mbit/s; M12, D-coded
Sensor-system/actuator supply	7/8", 5-pole, 2 × max. 9 A
I/O ports	M12, 5-pole, A-coded
General data	
Protection	IP67
Mounting method	2 hole screw mounting, compatible with I/O modules of MVK model range
Dimensions H × W × D	39×63×225 mm
Temperature range	-25...+55 °C (storage temperature -25...+70 °C)
PROFINET	
FSU (Fast-Start-Up)	max. 500 ms
Shared Device/Input	yes, for 2 controls
PROFINET Netload Class	III
Specification	V2.3, Conformance Class C (IRT)
Addressing	DCP
Output	
Actuator supply UA	24 V DC (EN 61131-2), max. 9 A
Switching current per output	max. 1.6 A (short-circuit and overload protected)
Lamp load	10 W
Parameterization	
PIN 4	Input/Output (port X0...X7)
PIN 2	Input/Output (port X0...X7)
Diagnostic	
Communication status	via LED
Diagnostic via LED	per module and channel
Diagnostic via BUS	per module and channel
Monitoring - under voltage	yes
Monitoring - no voltage	yes
Short-circuit and overload	yes
Actuator warning	per channel via LED and BUS
Cable break	per port
Commercial data	
country of origin	DE
customs tariff number	85389099
EAN	4048879585453

eClass	27242604
Packaging unit	1