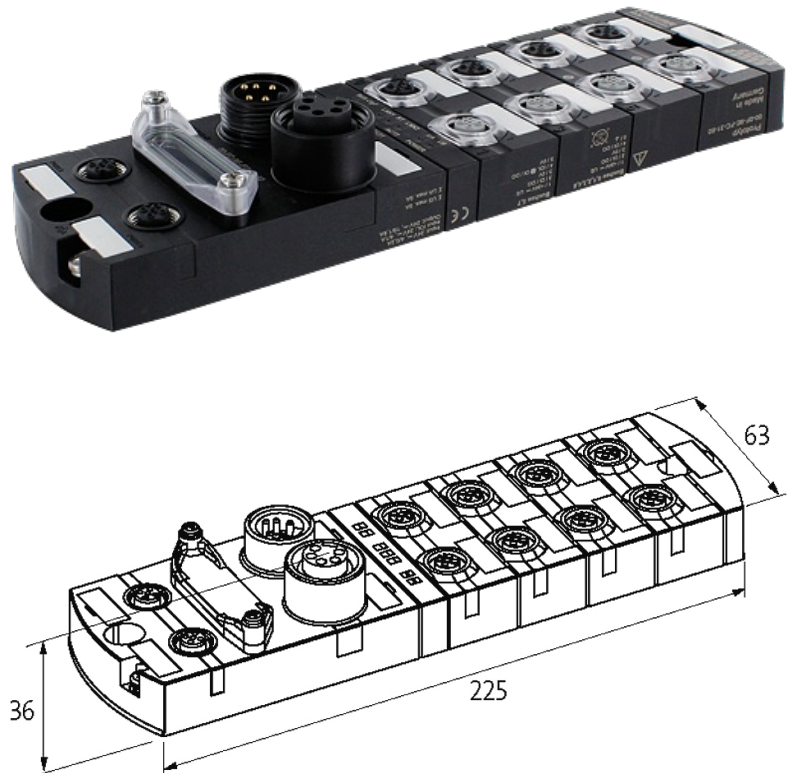


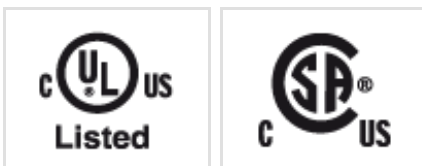
**Impact67 PN DIO12 IOL4 IRT 7/8" 5pin**

Digital inputs/outputs  
DIO12 IOL4 (IRT)  
M12, D-coded  
IO-Link Master V1.12

Connection cables are in the online shop under "Connection Technology". Housing fully potted.

[Link to Product](#)**Illustration**

Product may differ from Image

**Approvals****More Info**



### Input

Sensor supply US	24 V DC (EN 61131-2), max. 200 mA (M12 female), short-circuit and overload protected
Type	for 3-wire sensors or mechanical switches, PNP, IO-Link Devices

### Connections

Fieldbus	Ethernet 10/100 Mbit/s; M12, D-coded
Sensor-system/actuator supply	7/8", 5-pole, 2 × max. 9 A
I/O ports	M12, 5-pole, A-coded

### General data

Protection	IP67
Mounting method	2 hole screw mounting, compatible with I/O modules of MVK model range
Dimensions H × W × D	39×63×225 mm
Temperature range	-25...+55 °C (storage temperature -25...+70 °C)

### PROFINET

FSU (Fast-Start-Up)	max. 500 ms
Shared Device/Input	yes, for 2 controls
PROFINET Netload Class	III
Specification	V2.3, Conformance Class C (IRT)
Addressing	DCP

### IO-Link

IO-Link	4 × Master
Operating modes	COM1; COM2; COM3 (automatic)
Transfer parameters	32 Byte (via IO-Link Port)
Port Class	Class A + B (not galvanically separated)
Specification	IO-Link Master V1.12

### Output

Actuator supply UA	24 V DC (EN 61131-2), max. 9 A
Switching current per output	max. 1.6 A (short-circuit and overload protected)
Lamp load	10 W

### Parameterization

PIN 4	Input (port X0...X7); Output (port X0, X2, X4, X6); IO-Link Master (port X1, X3, X5, X7)
PIN 2	Input/Output (port X0...X7); U-Actuator IO-Link Class B (port X5, X7)

### Diagnostic

Communication status	via LED
----------------------	---------

Diagnostic via LED	per module and channel
Diagnostic via BUS	per module and channel
Monitoring - under voltage	yes
Monitoring - no voltage	yes
Short-circuit and overload	yes
Actuator warning	per channel via LED and BUS
Cable break	per port

#### Commercial data

country of origin	DE
customs tariff number	85389099
EAN	4048879585477
eClass	27242604
Packaging unit	1