

## IMPACT67 E DIO12 DIO4/IOL4 4P

IMPACT67 EthernetIP compact module, plastic housing,

Digital inputs/outputs

DIO12 IOL4

DLR (Device Level Ring)

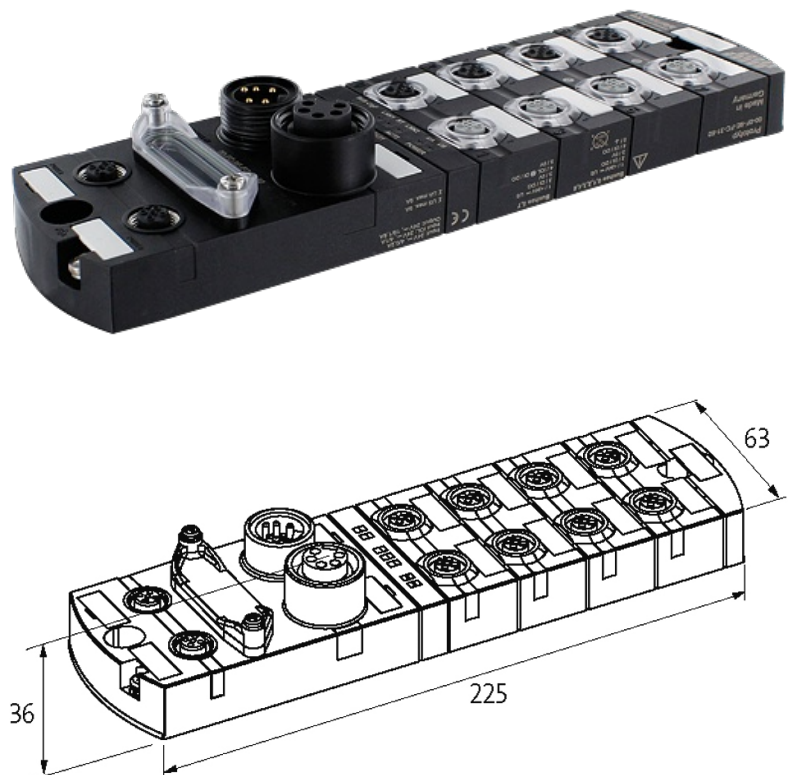
M12, D-coded

IO-Link Master V1.12

Connection cables are in the online shop under "Connection Technology". Housing fully potted.

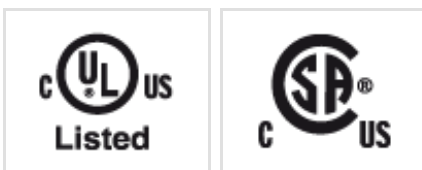
### [Link to Product](#)

#### Illustration



Product may differ from Image

#### Approvals



#### More Info

EtherNet/IP



### Input

Sensor supply US	24 V DC (EN 61131-2), max. 200 mA (M12 female), short-circuit and overload protected
Type	for 3-wire sensors or mechanical switches, PNP, IO-Link Devices

### Connections

Fieldbus	Ethernet 10/100 Mbit/s; M12, D-coded
Sensor-system/actuator supply	7/8", 4-pole, 2 × max. 9 A
I/O ports	M12, 5-pole, A-coded

### General data

Protection	IP67
Mounting method	2 hole screw mounting, compatible with I/O modules of MVK model range
Dimensions H × W × D	39×63×225 mm
Temperature range	-25...+55 °C (storage temperature -40...+85 °C)

### EtherNet/IP

Addressing	DHCP, BOOTP or IP address by DIP switch
QC (Quick Connect)	max. 360 ms
Multiple connections	yes
CIP Sync	yes
Composite Test Revision	CT 14
DLR (Device Level Ring)	yes

### IO-Link

IO-Link	4 × Master
Operating modes	COM1; COM2; COM3 (automatic)
Transfer parameters	32 Byte (via IO-Link Port)
Port Class	Class B (not galvanically separated)
Specification	IO-Link Master V1.12

### Output

Actuator supply UA	24 V DC (EN 61131-2), max. 9 A
Switching current per output	max. 1.6 A (short-circuit and overload protected)
Lamp load	10 W

### Parameterization

PIN 4	Input/Output (port X0...X7); IO-Link Master (port X4...X7)
PIN 2	Input/Output (port X0...X7); U-Actuator IO-Link Class B (port X4...X7)

### Diagnostic

Communication status	via LED
Diagnostic via LED	per module and channel
Diagnostic via BUS	per module and channel
Monitoring - under voltage	yes
Monitoring - no voltage	yes
Short-circuit and overload	yes
Actuator warning	per channel via LED and BUS
Cable break	per IO-Link Master

#### Commercial data

country of origin	DE
customs tariff number	85389099
EAN	4048879699754
eClass	27242604
Packaging unit	1