

## MVK-MPNIO DIO12 DIO4/IOL4 M12L 4P

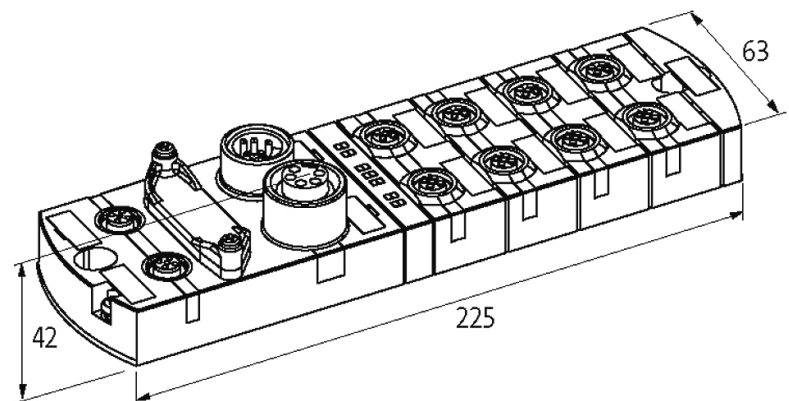
ProfiNet, Compact module, metal

Digital inputs/outputs  
DIO12 IOL4 (IRT)  
M12, D-coded  
IO-Link Master V1.12

Connection cables are in the online shop under "Connection Technology". Housing fully potted.

### [Link to Product](#)

#### Illustration



Product may differ from Image

#### More Info



#### Input

Sensor supply US

24 V DC (EN 61131-2), max. 200 mA (M12 female), short-circuit and overload protected

Type	for 3-wire sensors or mechanical switches, PNP, IO-Link Devices
<b>Connections</b>	
Fieldbus	Ethernet 10/100 Mbit/s; M12, D-coded
Sensor-system/actuator supply	M12 Power, 4-pole, L-coded, 2 × max. 16 A
I/O ports	M12, 5-pole, A-coded
<b>General data</b>	
Protection	IP67
Mounting method	2-hole screw mounting
Dimensions H × W × D	42×63×225 mm
Temperature range	-25...+60 °C (storage temperature -25...+70 °C)
<b>PROFINET</b>	
FSU (Fast-Start-Up)	max. 500 ms
Shared Device/Input	yes, for 2 controls
PROFINET Netload Class	III
Specification	V2.3, Conformance Class C (IRT)
MRP	yes
Addressing	DCP
<b>IO-Link</b>	
IO-Link	4 × Master
Operating modes	COM1; COM2; COM3 (automatic)
Transfer parameters	32 Byte (via IO-Link Port)
Port Class	Class A + B (not galvanically separated)
Specification	IO-Link Master V1.12
<b>Output</b>	
Actuator supply UA	24 V DC (EN 61131-2), max. 9 A
Switching current per output	max. 1.6 A (short-circuit and overload protected)
Lamp load	10 W
<b>Parameterization</b>	
PIN 4	Input/Output (port X0...X7); IO-Link Master (port X4...X7)
PIN 2	Input/Output (port X0...X7); U-Actuator IO-Link Class B (port X4...X7)
<b>Diagnostic</b>	
Communication status	via LED
Diagnostic via LED	per module and channel
Diagnostic via BUS	per module and channel
Monitoring - under voltage	yes
Monitoring - no voltage	yes
Short-circuit and overload	yes
Actuator warning	per channel via LED and BUS

Cable break per port

**Commercial data**

country of origin DE

customs tariff number 85389099

Packaging unit 1