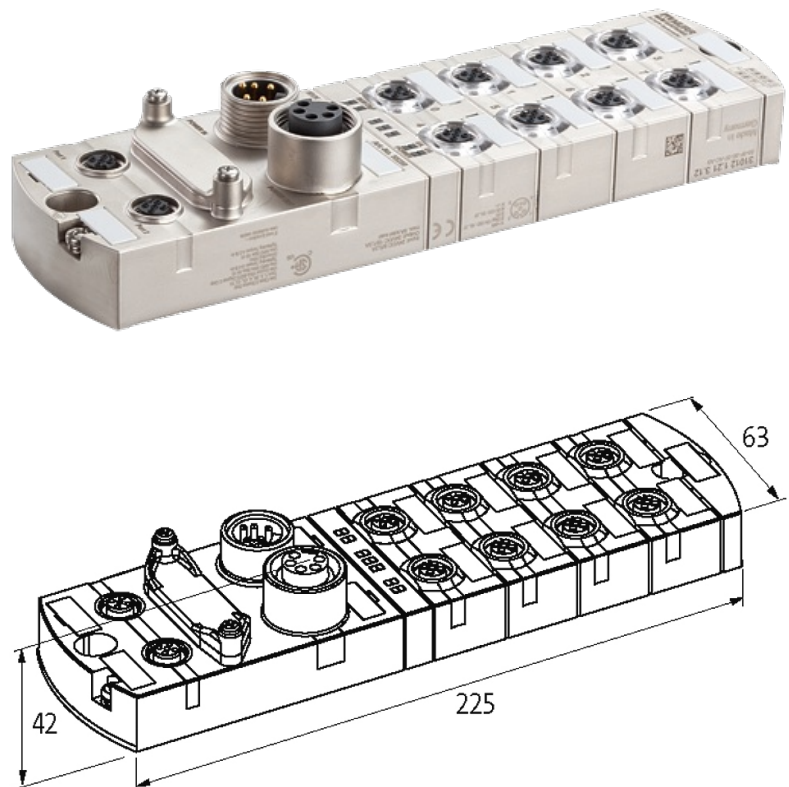


MVK-MPNIO DI8 (DI8)

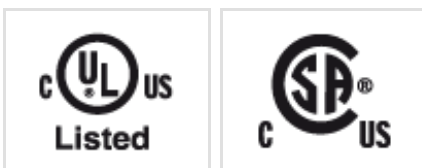
Use module only for spare parts requirement! No support anymore.

Digital inputs
DI8 (DI8)
M12, D-coded

Connection cables are in the online shop under "Connection Technology". Housing fully potted.

[**Link to Product**](#)**Illustration**

Product may differ from Image

Approvals**More Info**



Input

Sensor supply US	24 V DC (EN 61131-2), max. 200 mA (M12 female), short-circuit and overload protected
Type	for 3-wire sensors or mechanical switches, PNP

Connections

Fieldbus	Ethernet 10/100 Mbit/s; M12, D-coded
Sensor-system/actuator supply	7/8", 5-pole, 2 × max. 9 A
I/O ports	M12, 5-pole, A-coded

General data

Protection	IP67
Mounting method	2-hole screw mounting
Dimensions H × W × D	42×63×225 mm
Temperature range	-25...+55 °C (storage temperature -25...+70 °C)

PROFINET

Specification	V2.2, Conformance Class B
Addressing	DCP

Parameterization

PIN 4	Input
PIN 2	Input/Diagnostic

Diagnostic

Communication status	via LED
Diagnostic via LED	per module and channel
Diagnostic via BUS	per module and channel
Monitoring - under voltage	yes
Monitoring - no voltage	yes
Short-circuit and overload	yes
Actuator warning	per channel via LED and BUS
Cable break	per port

Commercial data

country of origin	DE
customs tariff number	85176200
EAN	4048879051644
eClass	27242604
Packaging unit	1