

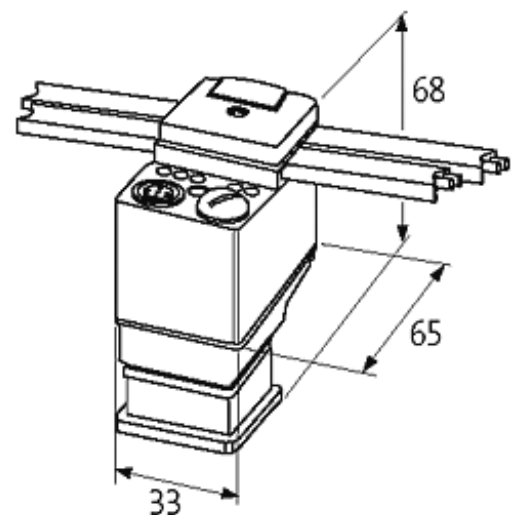
AS-INTERFACE VALVE PLUG PLUG

1 digital outputs

Digital outputs
DO1 - 2 A (Form BI)

[Link to Product](#)

Illustration



Product may differ from Image

Technical Data

Bus voltage (AS-Interface)	26.5...31.6 V DC
Total current (AS-Interface)	max. 50 mA
Addressing	1...31 via address port
Profile (IO/ID/ID2 code)	S-3.F.E

The information in this brochure has been compiled with the utmost care.

Liability for the correctness completeness and topicality of the information is restricted to gross negligence. Version: 03/19

Murrelektronik GmbH | Falkenstraße 3 | 71570 Oppenweiler | Fon +49 (71 91) 47-0 | Fax +49 (71 91) 47-491000 | shop@murrelektronik.com | shop.murrelektronik.com

Pin spacing	11 mm
General data	
Protection	IP67
Temperature range	-20...+70 °C
Output	
Number	1 - (31-32)
Connection	OUT 1 (Form BI)
Supply voltage	24 V DC external (18...30.2 V DC) EN 61131-2, connection via black AS-Interface profile cable
Switching current per output	max. 2 A (short-circuit and overload protected)
Total current	max. 2 A (only 1 output active)
Diagnostic	
Communication status	via LED
Diagnostic via LED	per module
Monitoring - no voltage	yes
Commercial data	
country of origin	DE
customs tariff number	85176200
EAN	4048879046541
eClass	27242604
Packaging unit	1