

## Gateway Profibus-DP/AS-i, 1 Master

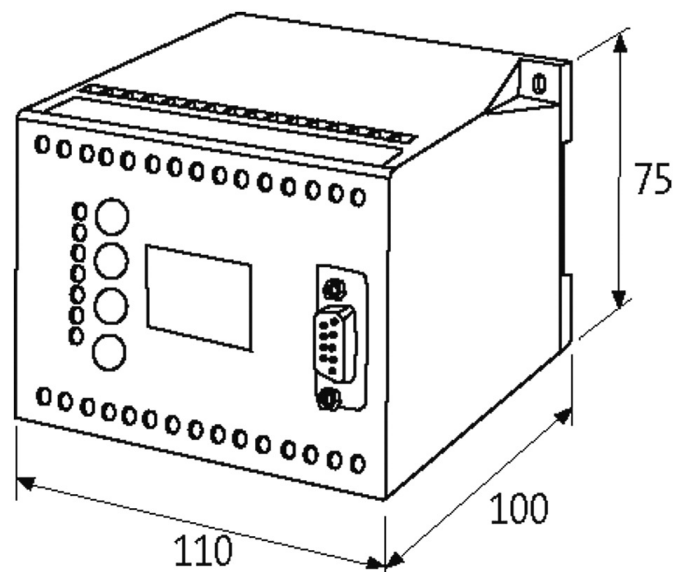
Spec. 2.1

Gateway-Singlemaster  
via screw terminals on the front  
AS-Interface/PROFIBUS DP  
Specification 2.1

Current manuals, GSD/type data can be downloaded at : [www.murrelektronik.com](http://www.murrelektronik.com) Other gateways on request.

### [Link to Product](#)

#### Illustration



Product may differ from Image

### Connections

Fieldbus	SUB-D9
----------	--------

### PROFIBUS

Addressing	via buttons on the gateway or PROFIBUS DP addresses 1...126 adjustable (default 3)
------------	--

### General data

Standards	EN 50082, EN 50081
Test isolation voltage	min. 500 V
Protection	IP20
Mounting method	DIN-rail mountable (EN 60715)
Temperature range	0...+55 °C (storage temperature -20...+85 °C)
Dimensions H x W x D	83x75x120 mm

### AS-Interface

Operating voltage	26.5...31.6 V DC
Operating current	max. 200 mA (AS-Interface)
Bus connection	via screw terminals on the front
No. of slaves	max. 62
Cycle time	150 µs x (number of slaves + 2)

### Fieldbus

Buttons	4 (mode/set/OK/ESC)
Transfer rate	9.6...1 2000 kBaud, automatic detection
Functions	Illustration of AS-Interface slaves as I/O process data in PROFIBUS DP, full diagnostic configuration via DP-master

### Display

Error messages
Operating modes
System, parameter and diagnostic data

### Commercial data

country of origin	DE
customs tariff number	85176200
EAN	4048879050012
eClass	27242608
Packaging unit	1