

CUBE20 BUS NODE PROFIBUS-DP

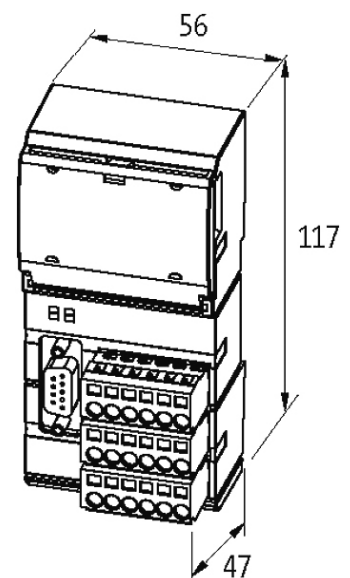
8 digital inputs

Bus nodes

DI8 - (BN-P)

PROFIBUS DP

Connection cables are in the online shop under "Connection Technology".

[Link to Product](#)**Illustration**

Product may differ from Image

Approvals



More Info



Input

Sensor supply US	24 V DC (EN 61131-2), max. 700 mA per module
Type	PNP (EN 61131-2)
Input filter	1 ms
Galvanic isolation	500 V DC between I/O and system electronics

Connections

Fieldbus	PROFIBUS 12 Mbit/s; SUB-D9
Sensor-system/actuator supply	4 × spring clamp plug-in terminals, max. 2.5 mm ² (max. 12 A)
Internal system connection	4 × spring clamp plug-in terminals, max. 2.5 mm ² (max. 12 A)
I/O ports	8 × spring clamp plug-in terminals, max. 2.5 mm ²

PROFIBUS

Addressing	Rotary switch 0...99
------------	----------------------

Module supply

Operating voltage	24 V DC (EN 61131-2)
Current consumption	max. 150 mA

General data

Protection	IP20
Mounting method	DIN-rail mountable (EN 60715)
Temperature range	0...+55 °C (storage temperature -20...+85 °C)
Dimensions H × W × D	117×56×47 mm

Cube system

Module capacity	max. 15
I/O capacity	max. 244 Byte (Input), max. 244 Byte (Output)
Machine Option Management	yes

Parameterization

Terminal row X2 (4 channels)	Input
Terminal row X3 (4 channels)	Input

Diagnostic

Communication status	via LED and BUS
----------------------	-----------------

Diagnostic via LED	per module
Diagnostic via BUS	per module and channel
Monitoring - under voltage	yes
Monitoring - no voltage	no
Short-circuit and overload	yes

Commercial data

country of origin	DE
customs tariff number	85176200
EAN	4048879049504
eClass	27242604
Packaging unit	1