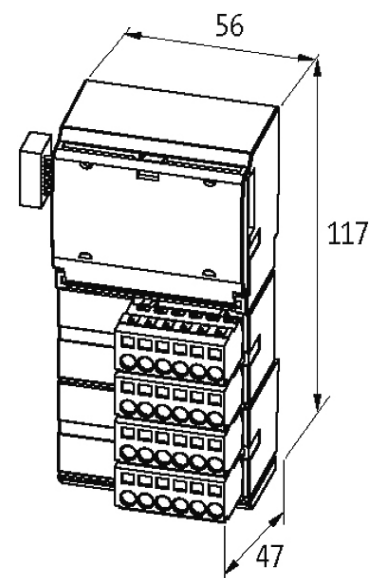


**CUBE20 DIGITAL OUTPUT MODULE**

16 digital outputs

Expansion module  
DO16 - (E)[Link to Product](#)**Illustration**

Product may differ from Image

**Approvals**



### Internal communication

Module supply	via system connection
Current consumption	max. 25 mA

### Connections

Fieldbus	Ribbon cable connection
Sensor-system/actuator supply	8 × spring clamp plug-in terminals, max. 2.5 mm <sup>2</sup> (max. 12 A)
I/O ports	16 × spring clamp plug-in terminals, max. 2.5 mm <sup>2</sup>

### General data

Protection	IP20
Mounting method	DIN-rail mountable (EN 60715)
Temperature range	0...+55 °C (storage temperature -20...+85 °C)
Dimensions H × W × D	117×56×47 mm

### Output

Actuator supply UA	24 V DC (EN 61131-2), max. 12 A
Switching current per output	max. 2 A
Galvanic isolation	500 V DC between outputs and internal communication
Lamp load	40 W

### Diagnostic

Communication status	via LED
Diagnostic via LED	per module and channel
Diagnostic via BUS	per module and channel
Monitoring - under voltage	yes
Monitoring - no voltage	no
Short-circuit and overload	yes

### Commercial data

country of origin	DE
customs tariff number	85176200
EAN	4048879049306
eClass	27242604
Packaging unit	1