

## CUBE20 DIGITAL IN-/OUTPUT MODULE

16 digital inputs and 16 digital outputs

Expansion module

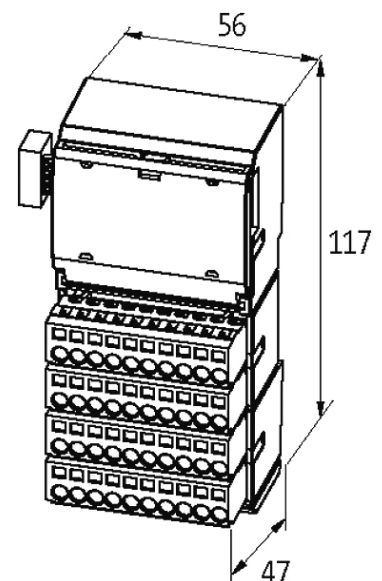
Digital inputs

Digital outputs

DI16/DO16 - (E)

### [Link to Product](#)

#### Illustration



Product may differ from Image

#### Input

Sensor supply US

24 V DC (EN 61131-2), max. 700 mA per module

The information in this brochure has been compiled with the utmost care.

Liability for the correctness completeness and topicality of the information is restricted to gross negligence. Version: 03/19

Murrelektronik GmbH | Falkenstraße 3 | 71570 Oppenweiler | Fon +49 (71 91) 47-0 | Fax +49 (71 91) 47-491000 | shop@murrelektronik.com | shop.murrelektronik.com

Type	PNP (EN 61131-2)
Input filter	1 ms
Galvanic isolation	500 V DC between inputs and internal communication
<b>Internal communication</b>	
Module supply	via system connection
Current consumption	max. 25 mA
<b>Connections</b>	
Fieldbus	Ribbon cable connection
Sensor-system/actuator supply	8 × spring clamp plug-in terminals, max. 2.5 mm <sup>2</sup> (max. 12 A)
I/O ports	32 × spring clamp plug-in terminals, max. 2.5 mm <sup>2</sup>
<b>General data</b>	
Protection	IP20
Mounting method	DIN-rail mountable (EN 60715)
Temperature range	0...+55 °C (storage temperature -20...+85 °C)
Dimensions H × W × D	117×56×47 mm
<b>Output</b>	
Actuator supply UA	24 V DC (EN 61131-2), max. 12 A
Galvanic isolation	500 V DC between outputs and internal communication
Switching current per output	max. 0.5 A (short-circuit and overload protected)
Lamp load	10 W
<b>Diagnostic</b>	
Communication status	via LED
Diagnostic via LED	per module and channel (only outputs)
Diagnostic via BUS	per module and channel
Monitoring - under voltage	yes
Monitoring - no voltage	no
Short-circuit and overload	yes
<b>Commercial data</b>	
country of origin	DE
customs tariff number	85176200
EAN	4048879049245
eClass	27242604
Packaging unit	1