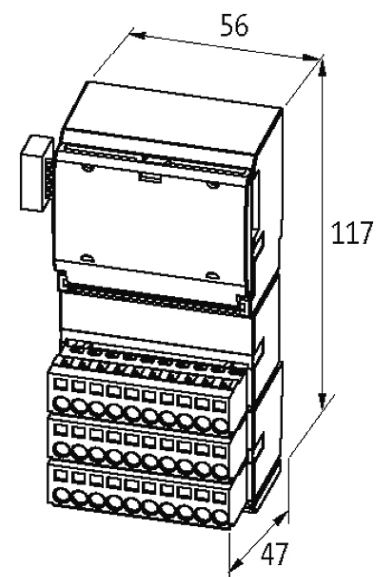


CUBE20 AO4 U/I

Expansion module
AO4 - (E) U/I

[Link to Product](#)**Illustration**

Product may differ from Image

Approvals



Internal communication

Module supply	via system connection
Current consumption	max. 25 mA from system, max. 90 mA externally (UI), idle load

Connections

Fieldbus	Ribbon cable connection
Sensor-system/actuator supply	4 × spring clamp plug-in terminals, max. 2.5 mm ² (max. 12 A)
I/O ports	24 × spring clamp plug-in terminals, max. 2.5 mm ²

General data

Protection	IP20
Mounting method	DIN-rail mountable (EN 60715)
Temperature range	0...+55 °C (storage temperature -20...+85 °C)
Dimensions H × W × D	117×56×47 mm

Output

Conversion time (analog)	max. 1 ms (per channel)
Resolution (analog)	15 Bit + sign
Accuracy	max. 0.5%
Galvanic isolation	500 V DC between inputs and internal communication

Diagnostic

Communication status	via LED
Diagnostic via LED	per module and channel
Diagnostic via BUS	per module and channel
Monitoring - under voltage	yes
Monitoring - no voltage	no
Short-circuit and overload	yes
Actuator warning	per channel via LED and BUS
Wire break upper/lower limit overload	per channel via LED and BUS

Voltage output signals

Load	min. 1 k Ω , (EN 61131-2)
Input range	\pm 10 V DC, 0...10 V DC

Current outputs

Load	max. 60 Ω (EN 61131-2)
Input range	0...20 mA, 4...20 mA

Commercial data

country of origin	DE
customs tariff number	85176200

EAN	4048879049207
eClass	27242601
Packaging unit	1