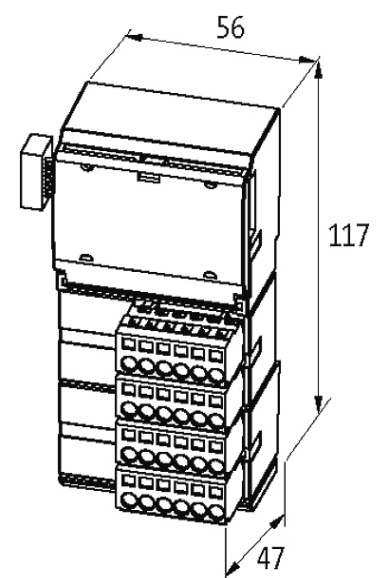


CUBE20 ANALOG INPUT MODULE

4 analog inputs

for resistors and temperature
AI4 - (E) RTD[Link to Product](#)**Illustration**

Product may differ from Image

Approvals



Input

Conversion time (analog)	max. 600 ms (per channel)
Type	Pt100, 200, 500; Ni100, 120, 200, 500, 1000, R 0...3000 Ω
Resolution (analog)	15 Bit + sign
Accuracy	0.7...1.4%
Connection	2-wire input: +Rx, -Rx / 3-wire input: +Rx, RLx, -Rx

Internal communication

Module supply	via system connection
Current consumption	max. 25 mA from system, max. 70 mA externally (UI)

Connections

Fieldbus	Ribbon cable connection
Sensor-system/actuator supply	4 × spring clamp plug-in terminals, max. 2.5 mm ² (max. 12 A)
I/O ports	16 × spring clamp plug-in terminals, max. 2.5 mm ²

General data

Protection	IP20
Mounting method	DIN-rail mountable (EN 60715)
Temperature range	0...+55 °C (storage temperature -20...+85 °C)
Dimensions H × W × D	117×56×47 mm

Diagnostic

Communication status	via LED
Diagnostic via LED	per module
Diagnostic via BUS	per module and channel
Monitoring - under voltage	yes
Monitoring - no voltage	no
Short-circuit and overload	yes
Wire break upper/lower limit overload	per channel via LED and BUS

Commercial data

country of origin	DE
customs tariff number	85176200
EAN	4048879049184
eClass	27242601
Packaging unit	1