

## MASI67 I/O MODULE

4 digital inputs

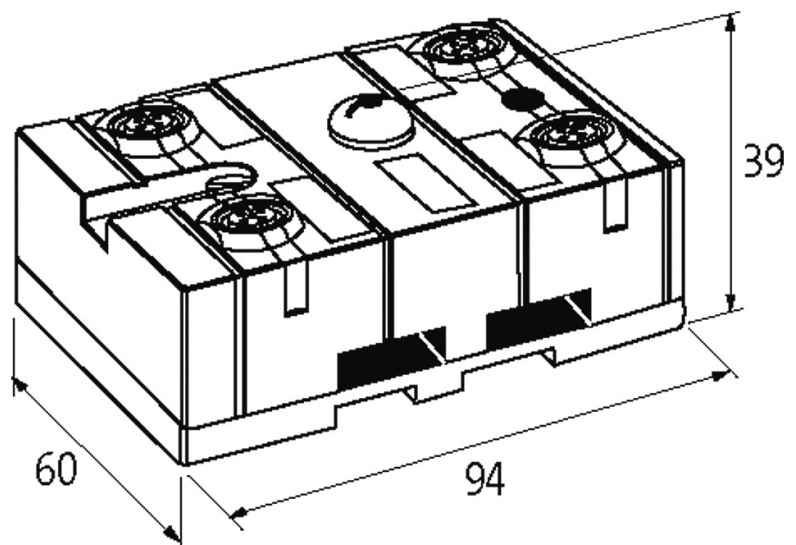
Digital inputs

DI4 - 0.2 A (AB) 4×M12

Connection cables are in the online shop under "Connection Technology". Housing fully potted.

### [Link to Product](#)

#### Illustration



Product may differ from Image

#### Approvals



### Input

Sensor supply US	max. 200 mA from AS-Interface (short-circuit and overload protected)
Type	for 3-wire sensors or mechanical switches, PNP

### Technical Data

Bus voltage (AS-Interface)	26.5...31.6 V DC
Total current	max. 250 mA
Addressing	via built-in address port or master
Address range	1...62 (1...31 A or B)
Profile (IO/ID/ID2 code)	S-0.A.0
Double assignment of M12 female	no
PIN 2 and PIN 4 of M12 female bridged	yes

### General data

Protection	IP67
Mounting method	DIN-rail mountable (EN 60715) or screw fixing
Temperature range	-20...+60 °C (storage temperature -20...+70 °C)
Dimensions H × W × D	94×60×39 mm

### Diagnostic

Communication status	via LED
Diagnostic via LED	per module
Diagnostic via BUS	yes

### Commercial data

country of origin	DE
customs tariff number	85176200
EAN	4048879049115
eClass	27242604
Packaging unit	1