

## MASI67 I/O MODULE

4 digital inputs, 4 digital outputs

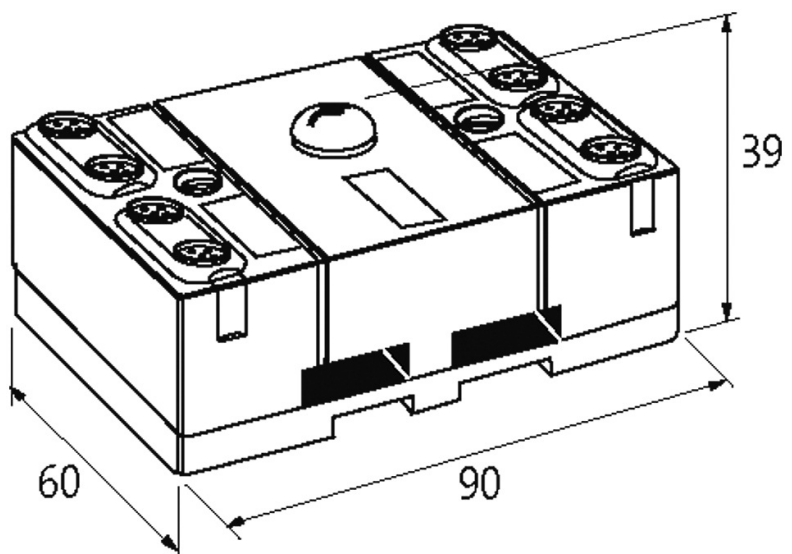
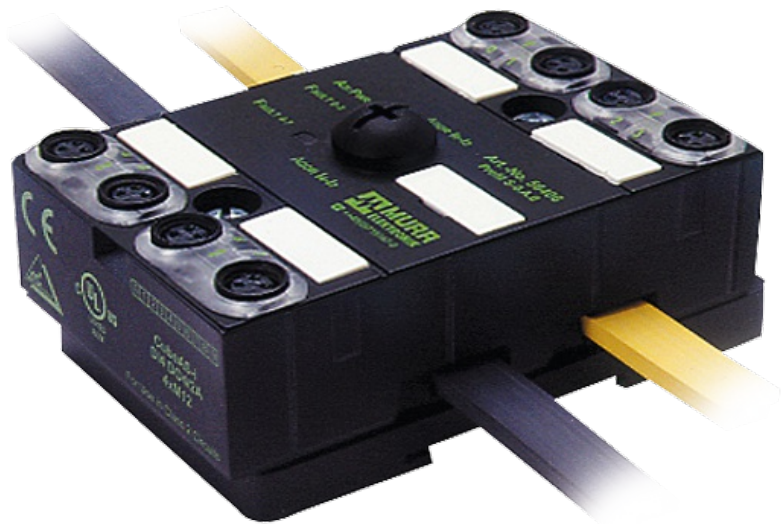
Digital inputs/outputs

DI4 - 0.2 A DO4 - 0.5 A 8×M8

Connection cables are in the online shop under "Connection Technology". Housing fully potted.

### [Link to Product](#)

#### Illustration



Product may differ from Image

#### Approvals

The information in this brochure has been compiled with the utmost care.

Liability for the correctness completeness and topicality of the information is restricted to gross negligence. Version: 03/19

Murrelektronik GmbH | Falkenstraße 3 | 71570 Oppenweiler | Fon +49 (71 91) 47-0 | Fax +49 (71 91) 47-491000 | shop@murrelektronik.com | shop.murrelektronik.com



### Input

Type	for 3-wire sensors or mechanical switches, PNP
Sensor supply US	max. 200 mA from AS-Interface (short-circuit and overload protected)

### Technical Data

Bus voltage (AS-Interface)	26.5...31.6 V DC
Total current (AS-Interface)	max. 250 mA
Addressing	via built-in address port or master
Address range	1...31
Profile (IO/ID/ID2 code)	S-7.0.E

### General data

Protection	IP67
Mounting method	DIN-rail mountable (EN 60715) or screw fixing
Temperature range	-20...+60 °C (storage temperature -20...+70 °C)
Dimensions H × W × D	94×60×39 mm

### Output

Supply voltage	24 V DC external (18...30.2 V DC) EN 61131-2, connection via black AS-Interface profile cable
Switching current per output	max. 0.5 A (short-circuit and overload protected)
Total current	max. 2 A

### Diagnostic

Communication status	via LED
Diagnostic via LED	per module
Monitoring - no voltage	yes

### Commercial data

country of origin	DE
customs tariff number	85176200
EAN	4048879049030
eClass	27242604
Packaging unit	1