

MASI67 I/O MODULE

4 digital inputs

Digital inputs

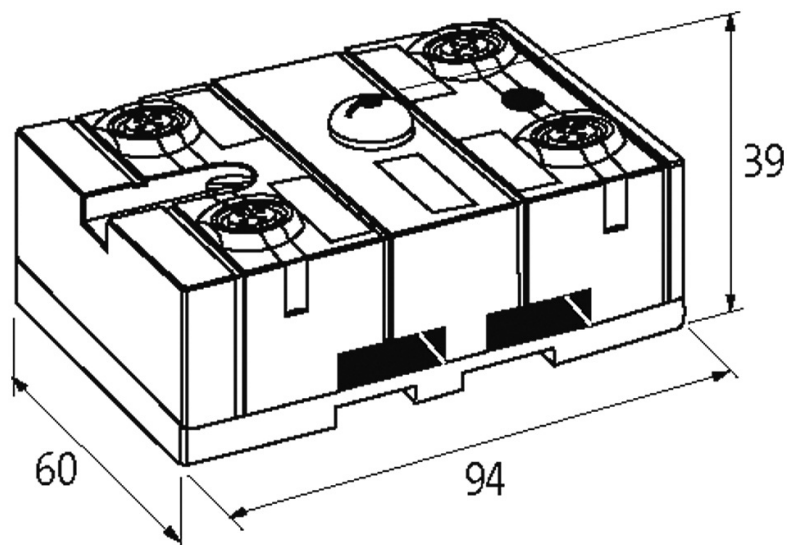
DI4 - 0.2 A (AB) 4×M12

Y-wiring

Connection cables are in the online shop under "Connection Technology". Housing fully potted.

[Link to Product](#)

Illustration



Product may differ from Image

Approvals

The information in this brochure has been compiled with the utmost care.

Liability for the correctness completeness and topicality of the information is restricted to gross negligence. Version: 03/19

Murrelektronik GmbH | Falkenstraße 3 | 71570 Oppenweiler | Fon +49 (71 91) 47-0 | Fax +49 (71 91) 47-491000 | shop@murrelektronik.com | shop.murrelektronik.com



Input

Sensor supply US	max. 170 mA from AS-Interface (short-circuit and overload protected)
Type	for 3-wire sensors or mechanical switches, PNP

Technical Data

Bus voltage (AS-Interface)	26.5...31.6 V DC
Total current	max. 250 mA
Addressing	via built-in address port or master
Address range	1...62 (1...31 A or B)
Profile (IO/ID/ID2 code)	S-0.A.2
Y-wiring	yes

General data

Protection	IP67
Mounting method	DIN-rail mountable (EN 60715) or screw fixing
Temperature range	-20...+60 °C (storage temperature -20...+70 °C)
Dimensions H × W × D	94×60×39 mm

Diagnostic

Communication status	via LED
Diagnostic via LED	per module
Diagnostic via BUS	yes

Commercial data

country of origin	DE
customs tariff number	85176200
EAN	4048879049009
eClass	27242604
Packaging unit	1