

MASI67 INSTALLATION TECHNOLOGY

Conversion from profile cable to 4xM12, 2x power

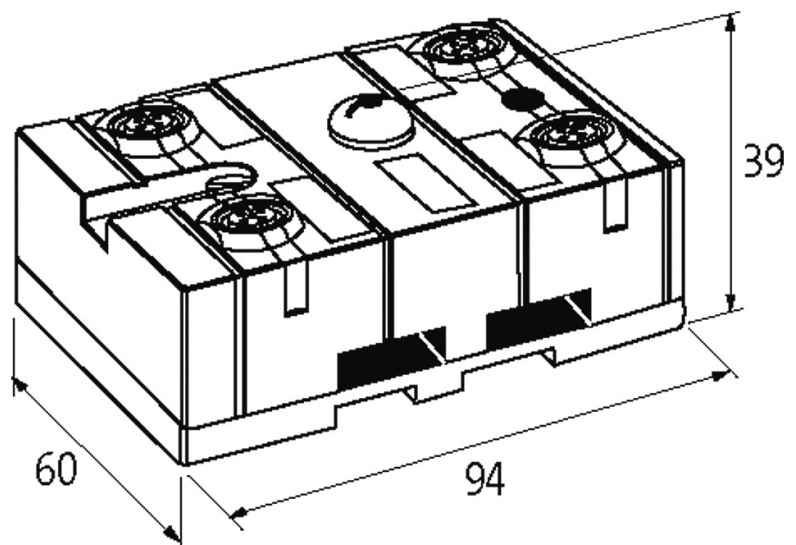
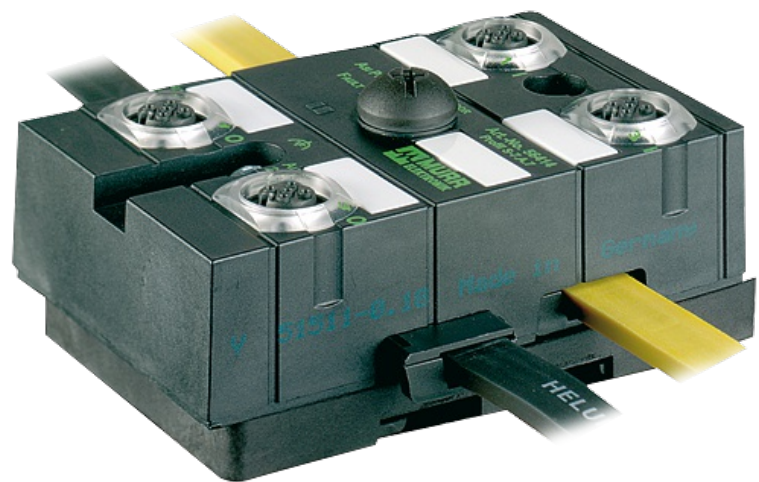
2 × Aux. Power

MASI67 passive distribution box

Connection cables are in the online shop under "Connection Technology". Housing fully potted.

[Link to Product](#)

Illustration



Product may differ from Image

Approvals



System connection

Communication and module supply via AS-Interface system connection

Technical Data

Bus voltage (AS-Interface)	26.5...31.6 V DC
External supply	2 × separately aux power
Current via M12 port	max. 4 A
Total current	max. 2 × 8 A

General data

Protection	IP67
Mounting method	DIN-rail mountable (EN 60715) or screw fixing
Temperature range	-20...+60 °C (storage temperature -40...+80 °C)
Dimensions H × W × D	94×60×39 mm

Commercial data

country of origin	DE
customs tariff number	85369010
EAN	4048879048972
eClass	27279219
Packaging unit	1