

## MASI68 I/O MODUL

8 digital inputs

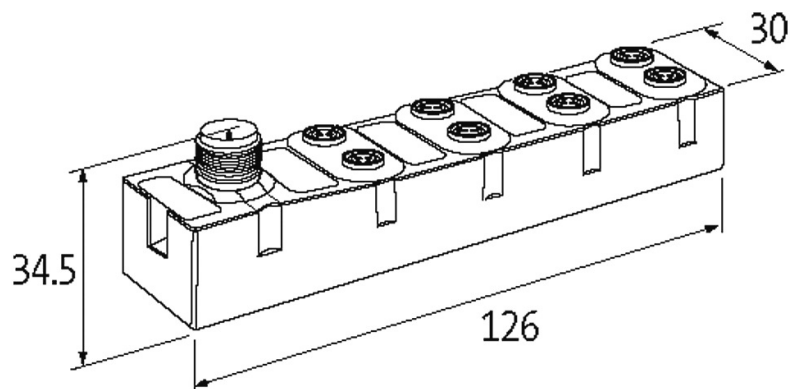
Compact module

DI8 - 0.2 A (C) 8×M8 (AB)

Connection cables are in the online shop under "Connection Technology". Housing fully potted.

### [Link to Product](#)

#### Illustration



Product may differ from Image

#### Approvals



#### Input

Type	for 3-wire sensors or mechanical switches, PNP
Sensor supply US	max. 200 mA from AS-Interface (short-circuit and overload protected)

### Connections

Fieldbus	A-coded
I/O ports	M8, 3-pole

### Technical Data

Bus voltage (AS-Interface)	26.5...31.6 V DC
ASI-Power 24	yes
Addressing	via master or M12 connection and programming device, presetting 1 × address 1 A, 1 × address 2 A
Address range	1...62 (1...31 A or B)
Profile (IO/ID/ID2 code)	2 × S-0.A.0
Total current	max. 250 mA

### General data

Protection	IP68
Mounting method	screw fixing
Temperature range	-20...+60 °C (storage temperature -20...+70 °C)
Dimensions H × W × D	126×30×34.5 mm

### Diagnostic

Communication status	via LED
Diagnostic via LED	per module
Monitoring - no voltage	yes

### Commercial data

country of origin	DE
customs tariff number	85176200
EAN	4048879045599
eClass	27242604
Packaging unit	1