

MASI68 I/O MODULE K3

4 digital inputs, 4 digital, passive safety outputs

Compact module

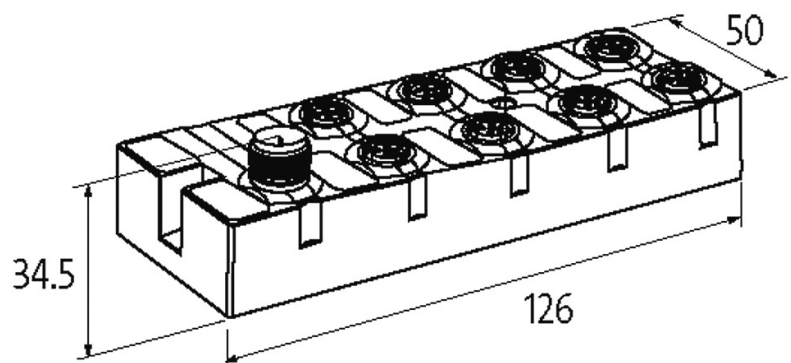
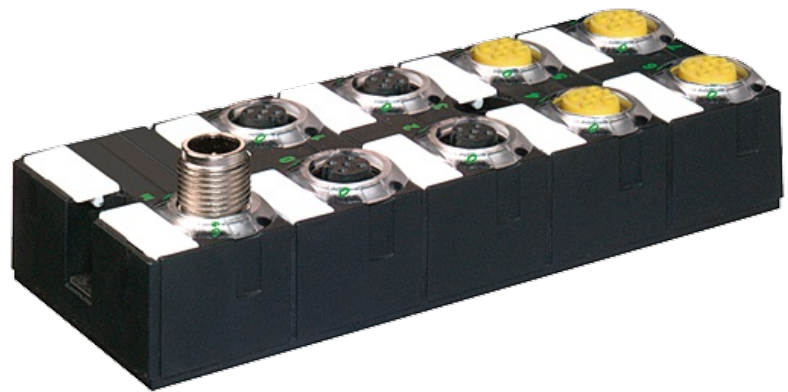
DI4 - 0.2 A DO4 - 1.6 A (C) 8×M12 (AB) (Y) (K3)

Output groups up to PLd (EN ISO 13849-1) can be switched off via safety relays

Connection cables are in the online shop under "Connection Technology". Housing fully potted.

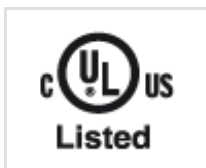
[Link to Product](#)

Illustration



Product may differ from Image

Approvals



Input

Type	for 3-wire sensors or mechanical switches, PNP
Sensor supply I _{IS}	max. 200 mA from AS-Interface (short-circuit and overload)

Sensor supply bus

protected)

Connections

Fieldbus	A-coded
I/O ports	M12, 5-pole

Technical Data

Bus voltage (AS-Interface)	26.5...31.6 V DC
Addressing	via master or M12 connection and programming device
Profile (IO/ID/ID2 code)	S-7.A.7
Address range	1...62 (1...31 A or B)
Total current	max. 250 mA

General data

Protection	IP68
Mounting method	screw fixing
Temperature range	-20...+60 °C (storage temperature -20...+70 °C)
Dimensions H × W × D	126×50×34.5 mm

Output

Supply voltage	24 V DC external (18...30.2 V DC) EN 61131-2
Switching current per output	max. 2 A (short-circuit and overload protected)
Total current	max. 4 A
M12 configuration	Y-wiring

Diagnostic

Communication status	via LED
Diagnostic via LED	per module
Monitoring - no voltage	yes

Commercial data

country of origin	DE
customs tariff number	85176200
EAN	4048879048910
eClass	27242604
Packaging unit	1