

MASI68 DI4/0,19A DO4/1A AB E 4xM12

Expansion module

DI4 - 0.19 A DO4 - 1 A (E) 4xM12 (AB)

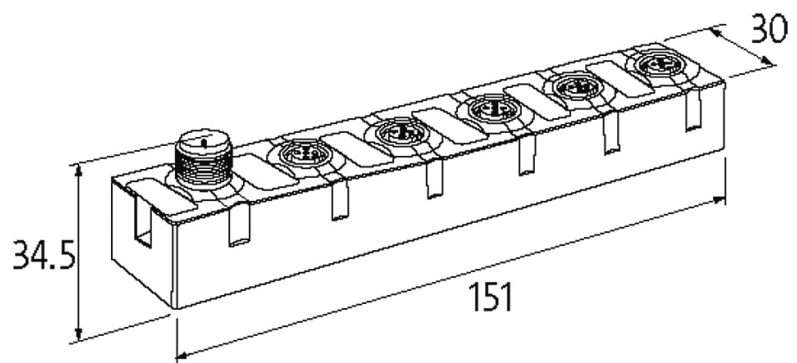
AB-Slave

4 x M12

Connection cables are in the online shop under "Connection Technology". Housing fully potted.

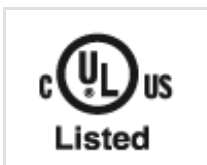
[Link to Product](#)

Illustration



Product may differ from Image

Approvals



Input

Type	for 3-wire sensors or mechanical switches, PNP
Sensor supply US	max. 190 mA from AS-Interface (short-circuit and overload protected)

Connections

Fieldbus	A-coded
I/O ports	M12, 4-pole

Technical Data

Bus voltage (AS-Interface)	26.5...31.6 V DC
Addressing	via master or M12 connection and programming device
Profile (IO/ID/ID2 code)	S-7.A.7
Address range	1...62 (1...31 A or B)
Total current	max. 250 mA

General data

Protection	IP68
Mounting method	screw fixing
Temperature range	-20...+60 °C (storage temperature -20...+70 °C)
Dimensions H x W x D	151x30x34.5 mm

Output

Supply voltage	24 V DC external (18...30.2 V DC) EN 61131-2
Switching current per output	max. 1 A (short-circuit and overload protected)
Total current	max. 4 A

Diagnostic

Diagnostic via LED	per module
Monitoring - no voltage	yes

Commercial data

country of origin	DE
customs tariff number	85176200
EAN	4048879298575
eClass	27242604
Packaging unit	1