

MASI68 I/O EXTENSION MODULE

4 digital inputs

Expansion module

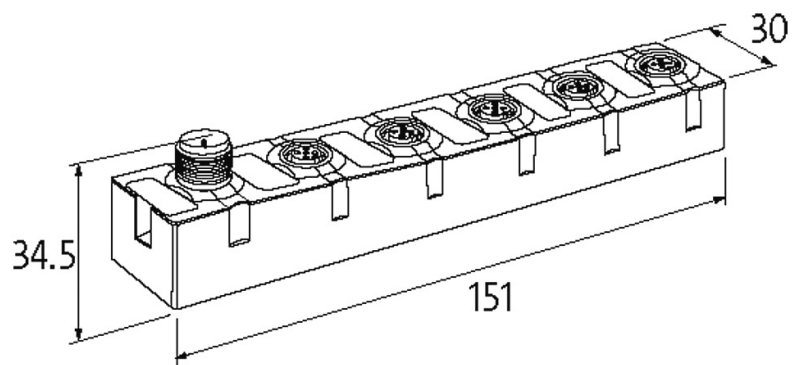
DI4 - 0.19 A (E) 4×M12 (AB) (Y) AUX

Y-wiring

Connection cables are in the online shop under "Connection Technology". Housing fully potted.

[Link to Product](#)

Illustration



Product may differ from Image

Approvals



Input

Type	for 3-wire sensors or mechanical switches, PNP
Sensor supply US	max. 190 mA from AUX Power (short-circuit and overload protected)

M12 configuration Y-wiring

Connections

Fieldbus	A-coded
I/O ports	M12, 5-pole

Technical Data

Bus voltage (AS-Interface)	26.5...31.6 V DC
Addressing	via master or M12 connection and programming device
Profile (IO/ID/ID2 code)	S-0.A.2
Address range	1...62 (1...31 A or B)
Total current	max. 250 mA

General data

Protection	IP68
Mounting method	screw fixing
Temperature range	-20...+60 °C (storage temperature -20...+70 °C)
Dimensions H x W x D	151x30x34.5 mm

Diagnostic

Communication status	via LED
Diagnostic via LED	per module
Monitoring - no voltage	yes

Commercial data

country of origin	DE
customs tariff number	85176200
EAN	4048879332477
eClass	27242604
Packaging unit	1