

MASI67 I/O MODUL

8 digital, safety outputs

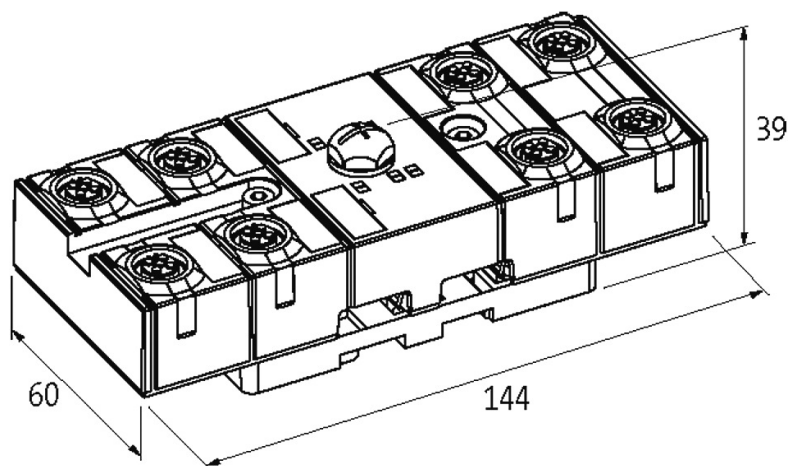
Digital outputs

Output groups up to PLd (EN ISO 13849-1) can be switched off via safety relays
DO8 - 1.6 A (AB) 8×M12 (K3) Safety

Connection cables are in the online shop under "Connection Technology". Housing fully potted.

[Link to Product](#)

Illustration



Product may differ from Image

Approvals



Technical Data

Bus voltage (AS-Interface)	26.5...31.6 V DC
Total current	max. 100 mA
Addressing	via built-in address port or master
Address range	1...62 (1...31 A or B)
Profile (IO/ID/ID2 code)	S-7.A.7
Double assignment of M12 female	yes

General data

Protection	IP67
Mounting method	DIN-rail mountable (EN 60715) or screw fixing
Temperature range	-20...+60 °C (storage temperature -25...+70 °C)
Dimensions H × W × D	94×60×39 mm

Output

Supply voltage	24 V DC external (18...30.2 V DC) EN 61131-2, connection via black AS-Interface profile cable
Switching current per output	max. 1.6 A (short-circuit and overload protected)
Total current	2 × 4 A

Diagnostic

Communication status	via LED
Diagnostic via LED	per module
Monitoring - no voltage	yes

Commercial data

country of origin	DE
customs tariff number	85369010
EAN	4048879378321
eClass	27242604
Packaging unit	1