

MASI68 I/O MODUL

2 digital inputs and 2 digital outputs

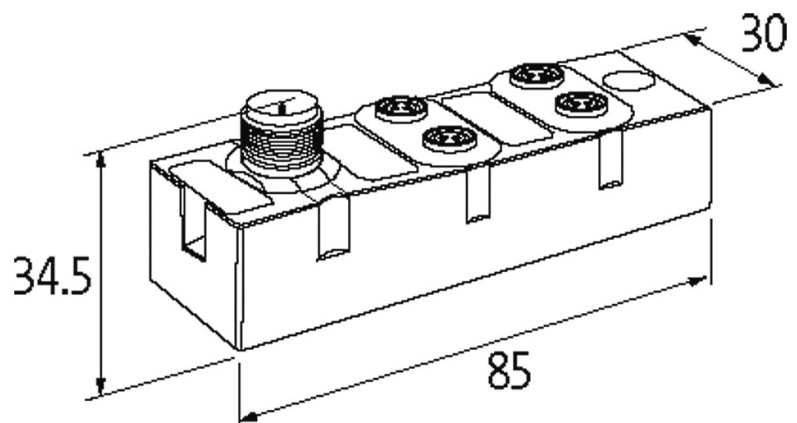
Compact module

DI2 - 0.1 A DO2 - 0.5 A (C) 4×M8 (AB)

Connection cables are in the online shop under "Connection Technology". Housing fully potted.

[Link to Product](#)

Illustration



Product may differ from Image

Approvals



Input

Type

for 3-wire sensors or mechanical switches, PNP

The information in this brochure has been compiled with the utmost care.

Liability for the correctness completeness and topicality of the information is restricted to gross negligence. Version: 03/19

Murrelektronik GmbH | Falkenstraße 3 | 71570 Oppenweiler | Fon +49 (71 91) 47-0 | Fax +49 (71 91) 47-491000 | shop@murrelektronik.com | shop.murrelektronik.com

Sensor supply US	max. 100 mA from AS-Interface (short-circuit and overload protected)
------------------	--

Connections

Fieldbus	A-coded
I/O ports	M8, 3-pole

Technical Data

Bus voltage (AS-Interface)	26.5...31.6 V DC
Addressing	via master or M12 connection and programming device
Profile (IO/ID/ID2 code)	S-7.A.E
Address range	1...62 (1...31 A or B)
Total current	max. 250 mA

General data

Protection	IP68
Mounting method	screw fixing
Temperature range	-20...+60 °C (storage temperature -20...+70 °C)

Output

Supply voltage	24 V DC external (18...30.2 V DC) EN 61131-2
Switching current per output	max. 0.5 A (short-circuit and overload protected)
Total current	max. 1.5 A

Diagnostic

Communication status	via LED
Diagnostic via LED	per module
Monitoring - no voltage	yes

Commercial data

country of origin	DE
customs tariff number	85176200
EAN	4048879373524
eClass	27242604
Packaging unit	1