

MASI68 I/O EXTENSION MODULE

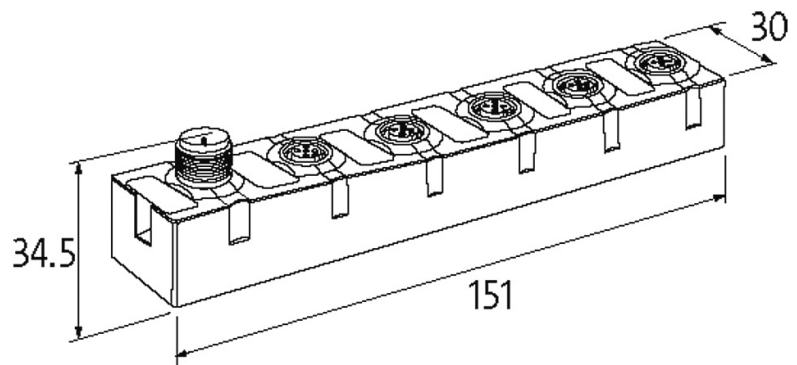
4 analog Inputs U/I configurable

AI4 - (E) 4×M12 (UI)

Connection cables are in the online shop under "Connection Technology". Housing fully potted.

[Link to Product](#)

Illustration



Product may differ from Image

Approvals



Input

Sensor supply US

24 V DC (EN 61131-2), max. 100 mA (M12 female), short-circuit and overload protected

Resolution (analog)

15 Bit + sign

Connections

Fieldbus	A-coded
I/O ports	M12, 4-pole

Technical Data

Bus voltage (AS-Interface)	26.5...31.6 V DC
Addressing	via master or M12 connection and programming device
Address range	1...31
Profile (IO/ID/ID2 code)	S-7.3.E
Total current	max. 100 mA

General data

Protection	IP68
Mounting method	screw fixing
Temperature range	-20...+70 °C (storage temperature -40...+85 °C)
Dimensions H x W x D	151x30x34.5 mm

Diagnostic

Communication status	via LED
Diagnostic via LED	per module
Monitoring - no voltage	yes
Wire break upper/lower limit overload	per module via LED and BUS

Commercial data

country of origin	DE
customs tariff number	85389099
EAN	4048879496681
eClass	27242601
Packaging unit	1