

CUBE20 SYSTEM INTERFACE TO CUBE67

8 multifunction channels, Power external

System connection

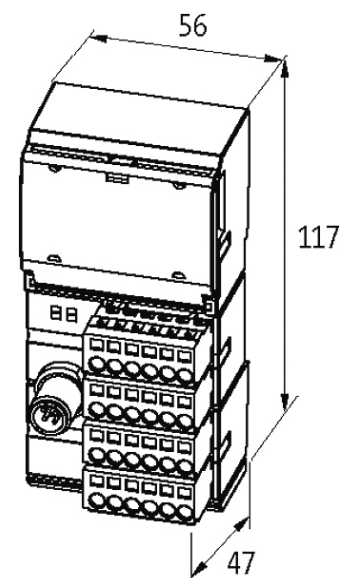
Power external

DIO8 - (BN) Cube67/20

Connection cables are in the online shop under "Connection Technology".

[Link to Product](#)

Illustration



Product may differ from Image

Approvals



Input

Sensor supply US	24 V DC (EN 61131-2), max. 700 mA per module, short-circuit and overload protected
Type	PNP (EN 61131-2)
Input filter	1 ms
Galvanic isolation	500 V DC between I/O and system electronics

Connections

Fieldbus	M12 (male) 6-pole
Sensor-system/actuator supply	4 × spring clamp plug-in terminals, max. 2.5 mm ² (max. 12 A)
I/O ports	8 × spring clamp plug-in terminals, max. 2.5 mm ²

Module supply

Operating voltage	24 V DC (EN 61131-2)
Current consumption	max. 100 mA

General data

Protection	IP20
Mounting method	DIN-rail mountable (EN 60715)
Temperature range	0...+55 °C (storage temperature -20...+85 °C)
Dimensions H × W × D	117×56×47 mm

Cube system

Module capacity	max. 3
-----------------	--------

Output

Actuator supply UA	24 V DC (EN 61131-2), max. 12 A
Switching current per output	max. 0.5 A (short-circuit and overload protected)
Galvanic isolation	500 V DC between I/O and system electronics
Lamp load	10 W

Parameterization

Terminal row X2 (4 channels)	Input/Output
Terminal row X3 (4 channels)	Input/Output

Diagnostic

Communication status	via LED
Diagnostic via LED	per module and channel (only outputs)
Diagnostic via BUS	per module and channel
Monitoring - under voltage	yes
Monitoring - no voltage	no

Short-circuit and overload yes

Commercial data

country of origin	DE
customs tariff number	85176200
EAN	4048879048774
eClass	27061801
Packaging unit	1