

Gateway EtherCAT/AS-i, 2 Masters

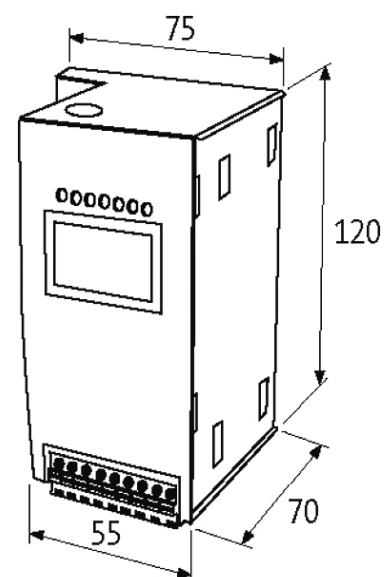
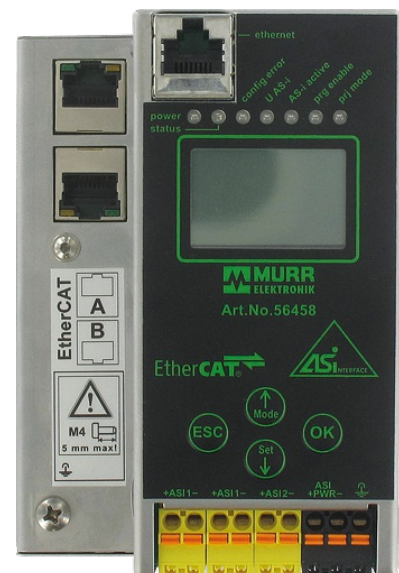
Spec. 3.0, Diagnosis RJ45

Gateway-Singlemaster
via pluggable spring clamp plug-in terminals on the front 0.5...1.5 mm²
AS-Interface/PROFIBUS DP
Specification 3.0

Other gateways on request. Current manuals, GSD/type data can be downloaded at:
www.murrelektronik.com

[Link to Product](#)

Illustration



Product may differ from Image

Approvals



Connections

Fieldbus SUB-D9

General data

Standards	EN 50295
Test isolation voltage	min. 500 V
Protection	IP20
Mounting method	DIN-rail mountable (EN 60715)
Temperature range	0...+55 °C (storage temperature -20...+85 °C)

EtherCAT

Addressing via buttons on the gateway or PROFIBUS DP addresses 1...126 adjustable (default 3)

AS-Interface

Operating voltage	30 V DC
Operating current	max. 70 mA from AS-Interface (short-circuit and overload protected)
Bus connection	via pluggable spring clamp plug-in terminals on the front 0.5...1.5 mm ²
Serial interface/diagnostic	PS2/RS232
No. of slaves	max. 62
Specification	3.0
Cycle time	150 µs × (number of slaves + 2)

Fieldbus

Buttons	4 (mode/set/OK/ESC)
Transfer rate	9.6...1 2000 kBaud, automatic detection
Functions	Illustration of AS-Interface slaves as I/O process data in PROFIBUS DP, full diagnostic configuration via DP-master

Commercial data

country of origin	DE
customs tariff number	85176200
EAN	4048879444712
eClass	27242608
Packaging unit	1