

Product discontinued until 31.10.2018, replaced by: 56469

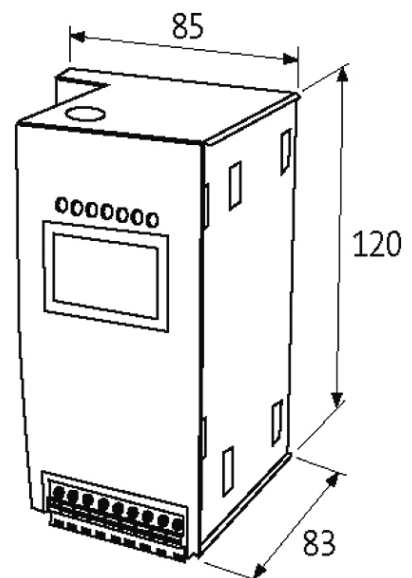
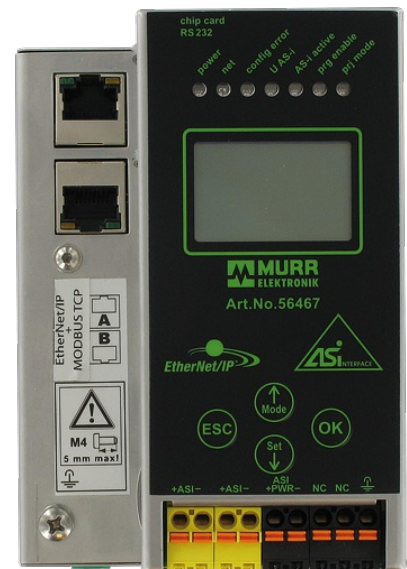
Gateway Ethernet-IP/AS-i, 1 Master, Spec. 3.0, IP20

Gateway-Singlemaster
via pluggable spring clamp plug-in terminals on the front 0.5...1.5 mm²
AS-Interface/EtherNet/IP
Specification 3.0

Other gateways on request. Current manuals, GSD/type data can be downloaded at:
www.murrelektronik.com

[Link to Product](#)

Illustration



Product may differ from Image

Approvals



More Info

EtherNet/IP

Connections

Fieldbus RJ45

General data

Standards	EN 50295, EN 61000-6-2, EN 61000-6-4
Test isolation voltage	min. 500 V
Protection	IP20
Mounting method	DIN-rail mountable (EN 60715)
Temperature range	0...+55 °C (storage temperature -25...+85 °C)
Dimensions H x W x D	120x85x83 mm

AS-Interface

Operating voltage	30 V DC
Operating current	max. 200 mA (AS-Interface)
Bus connection	via pluggable spring clamp plug-in terminals on the front 0.5...1.5 mm ²
Serial interface/diagnostic	RJ45/Fieldbus or PS2/RS232
No. of slaves	max. 62
Specification	3.0
Cycle time	150 µs × (number of slaves + 2)

Fieldbus

Type	EtherNet/IP (IEEE 802.3)
Transfer rate	10/100 MBaud

Commercial data

country of origin	DE
customs tariff number	85176200
EAN	4048879495707
eClass	27242208
Packaging unit	1