

Gateway Ethernet-IP/AS-i, 1 Master, P24

Spec. 3.0, Diagnosis Field bus, Power 24

AS-Interface/EtherNet/IP

Gateway-Singlemaster

Power 24V

Specification 3.0

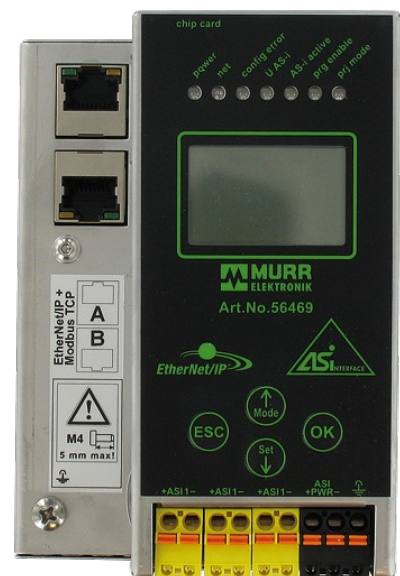
Diagnostic via BUS

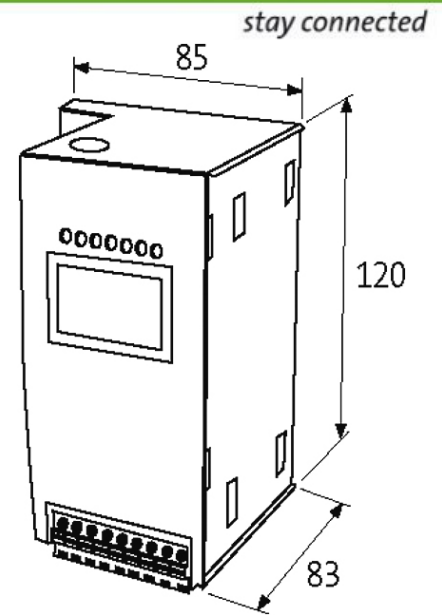
AS-Interface data decoupling integrated

Other gateways on request. Current manuals, GSD/type data can be downloaded at:
www.murrelektronik.com

[Link to Product](#)

Illustration





Product may differ from Image

Approvals



More Info



Connections

Fieldbus RJ45

General data

Standards	EN 61131-2, EN 62026-2, EN 61000-6-2, EN 61000-6-4
Test isolation voltage	min. 500 V
Protection	IP20
Mounting method	DIN-rail mountable (EN 60715)
Temperature range	0...+55 °C (storage temperature -25...+85 °C)

AS-Interface

Operating voltage	24 V DC (20...30.6 V DC - PELV)
Operating current	max. 250 mA (AS-Interface)
Bus connection	via pluggable spring clamp plug-in terminals on the front 0.5...1.5 mm ²
Serial interface/diagnostic	RJ45/Fieldbus
No. of slaves	max. 62
Specification	3.0

The information in this brochure has been compiled with the utmost care.

Liability for the correctness completeness and topicality of the information is restricted to gross negligence. Version: 03/19

Murrelektronik GmbH | Falkenstraße 3 | 71570 Oppenweiler | Fon +49 (71 91) 47-0 | Fax +49 (71 91) 47-491000 | shop@murrelektronik.com | shop.murrelektronik.com

Cycle time	150 μ s × (number of slaves + 2)
------------	--------------------------------------

Fieldbus

Type	EtherNet/IP (IEEE 802.3)
------	--------------------------

Transfer rate	10/100 MBaud
---------------	--------------

Functions

Gateway-Singlemaster

AS-Interface data decoupling integrated

AS-Interface duplicate address detection
--

AS-Interface EMC detector integrated

Commercial data

country of origin	DE
-------------------	----

customs tariff number	85176200
-----------------------	----------

EAN	4048879496674
-----	---------------

eClass	27242208
--------	----------

Packaging unit	1
----------------	---