

Gateway ProfiNet/AS-i, 1 Master, P24

Spec. 3.0, Diagnosis Field bus, Power 24

AS-Interface/PROFINET

Gateway-Singlemaster

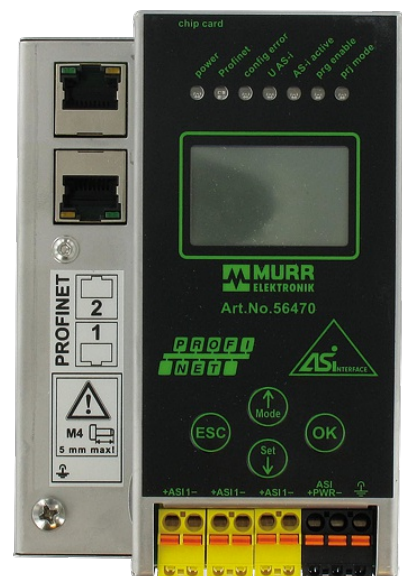
Power 24V

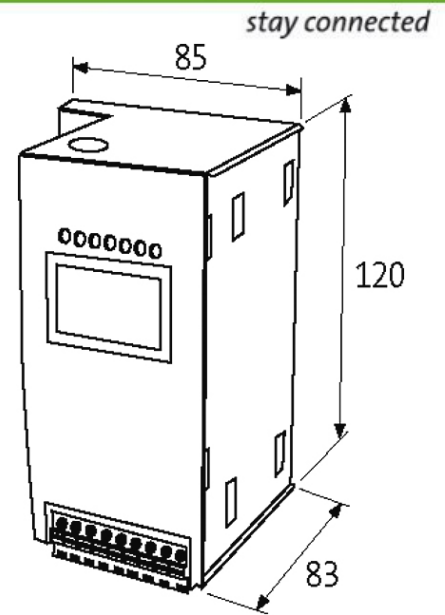
Specification 3.0

Diagnostic via BUS

AS-Interface data decoupling integrated

Other gateways on request. Current manuals, GSD/type data can be downloaded at:
www.murrelektronik.com

[Link to Product](#)**Illustration**



Product may differ from Image

Approvals



More Info



Connections

Fieldbus RJ45

General data

Standards	EN 61131-2, EN 62026-2, EN 61000-6-2, EN 61000-6-4
Test isolation voltage	min. 500 V
Protection	IP20
Mounting method	DIN-rail mountable (EN 60715)
Temperature range	0...+55 °C (storage temperature -25...+85 °C)

AS-Interface

Operating voltage	24 V DC (20...30.6 V DC - PELV)
Operating current	max. 250 mA (AS-Interface)
Bus connection	via pluggable spring clamp plug-in terminals on the front 0.5...1.5 mm ²
Serial interface/diagnostic	RJ45/Fieldbus
No. of slaves	max. 62
Specification	3.0

The information in this brochure has been compiled with the utmost care.

Liability for the correctness completeness and topicality of the information is restricted to gross negligence. Version: 03/19

Murrelektronik GmbH | Falkenstraße 3 | 71570 Oppenweiler | Fon +49 (71 91) 47-0 | Fax +49 (71 91) 47-491000 | shop@murrelektronik.com | shop.murrelektronik.com

Cycle time 150 μ s \times (number of slaves + 2)

Fieldbus

Type PROFINET (Class B)

Transfer rate 100 MBaud

Functions

Gateway-Singlemaster

AS-Interface data decoupling integrated

AS-Interface duplicate address detection

AS-Interface EMC detector integrated

Commercial data

country of origin DE

customs tariff number 85176200

EAN 4048879553872

eClass 27242608

Packaging unit 1