

CUBE67 BUS NODES

Profibus DP

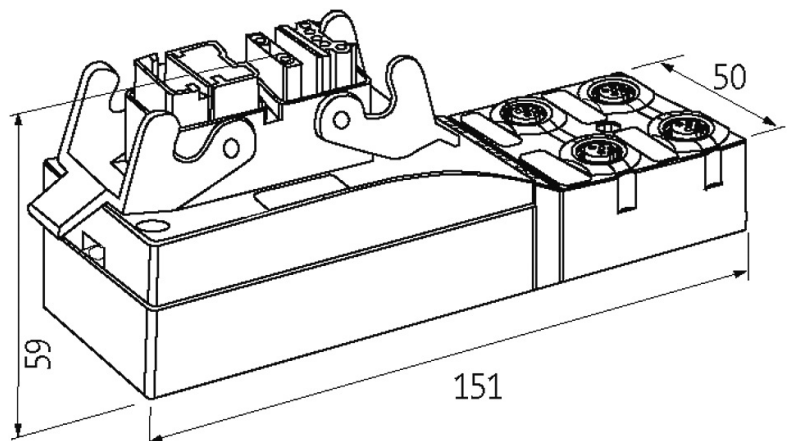
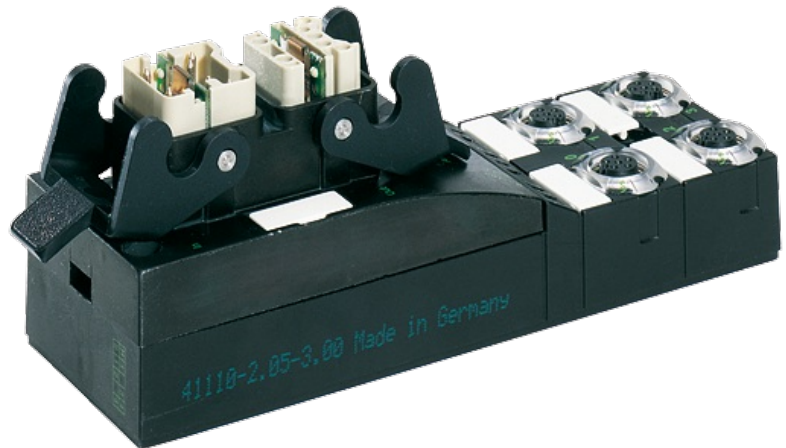
PROFIBUS DP

Connection technology ECOFAST®

Connection cables are in the online shop under "Connection Technology". Housing fully potted. ECOFAST® is a registered trade mark of SIEMENS.

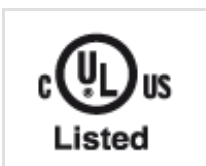
[Link to Product](#)

Illustration



Product may differ from Image

Approvals



More Info

The information in this brochure has been compiled with the utmost care.

Liability for the correctness completeness and topicality of the information is restricted to gross negligence. Version: 03/19

Murrelektronik GmbH | Falkenstraße 3 | 71570 Oppenweiler | Fon +49 (71 91) 47-0 | Fax +49 (71 91) 47-491000 | shop@murrelektronik.com | shop.murrelektronik.com



Connections

Fieldbus	DESINA® ECOFAST®
Sensor-system/actuator supply	DESINA® ECOFAST®
Internal system connection	M12, 6 pole; max. 4 A

PROFIBUS

Addressing	Rotary switch 0...99
------------	----------------------

Module supply

Operating voltage	24 V DC (EN 61131-2)
Current consumption	max. 120 mA

General data

Protection	IP65
Mounting method	2-hole screw mounting
Temperature range	0...+55 °C (storage temperature -20...+75 °C)
Dimensions H × W × D	151×50×50.3 mm

Cube system

Module capacity	max. 16
-----------------	---------

Diagnostic

Communication status	via LED and BUS
Diagnostic via LED	per module and channel
Diagnostic via BUS	per module and channel
Monitoring - under voltage	yes
Monitoring - no voltage	yes
Short-circuit and overload	yes

Commercial data

country of origin	DE
customs tariff number	85389099
EAN	4048879048613
eClass	27242608
Packaging unit	1