

CUBE67 I/O COMPACT MODULE

16 multifunction channels

Compact module

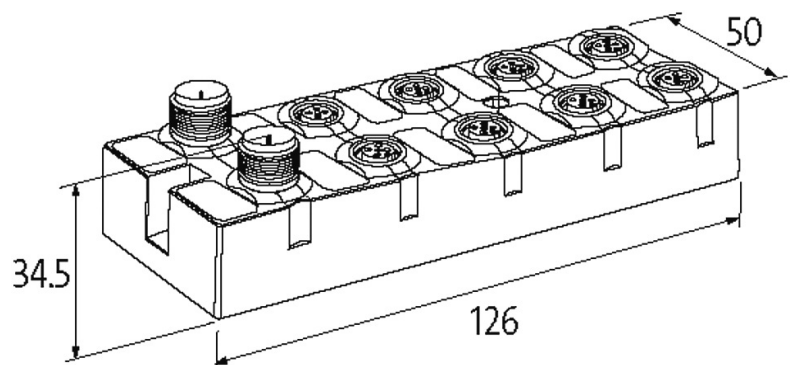
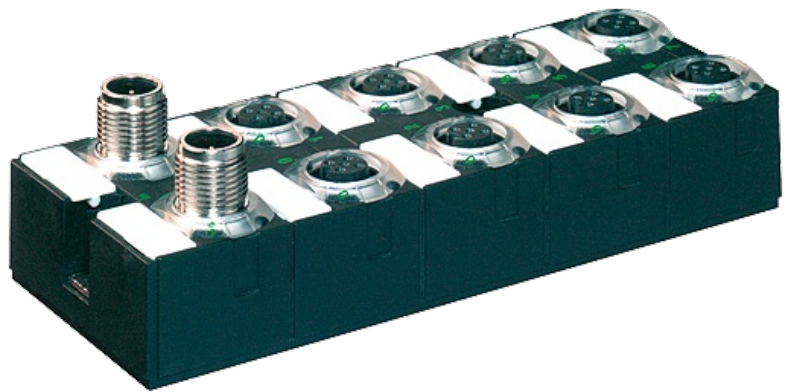
DIO16 - 0.5 A (C) 8×M12

Short-circuit and overload protected

Connection cables are in the online shop under "Connection Technology". Housing fully potted.

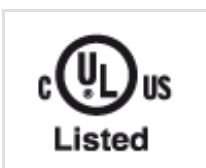
[Link to Product](#)

Illustration



Product may differ from Image

Approvals



Input

Sensor supply US

24 V DC (EN 61131-2), max. 200 mA (M12 female), short-circuit and overload protected

Type	for 3-wire sensors or mechanical switches, PNP
Input filter	1 ms
Internal communication	
Current consumption	max. 50 mA
LED display	US: sensor supply and internal supply voltage (green: OK); UA: actuator supply (green: OK)
Terminating resistor	integrated into the module
Connections	
Fieldbus	via internal system connection
Sensor-system/actuator supply	via internal system connection (max. 2×4 A)
I/O ports	M12 (female) 5-pole, A-coded
General data	
Protection	IP67
Mounting method	2-hole screw mounting
Temperature range	0...+55 °C (storage temperature -20...+75 °C)
Dimensions H × W × D	126×50×34.5 mm
Output	
Actuator supply UA	24 V DC (EN 61131-2), via system connection (max. 4 A) + right actuators via supply right (max. 4 A)
Switching current per output	max. 0.5 A (short-circuit and overload protected)
Lamp load	10 W
Parameterization	
PIN 2	Input/Output/Diagnostic
PIN 4	Input/Output
Diagnostic	
Communication status	via LED
Diagnostic via LED	per module and channel
Diagnostic via BUS	per module and channel
Monitoring - under voltage	yes
Monitoring - no voltage	yes
Short-circuit and overload	yes
Actuator warning	per channel via LED and BUS
Commercial data	
country of origin	DE
customs tariff number	85389099
EAN	4048879048606
eClass	27242604
Packaging unit	1