

## CUBE67 I/O EXTENSION MODULE

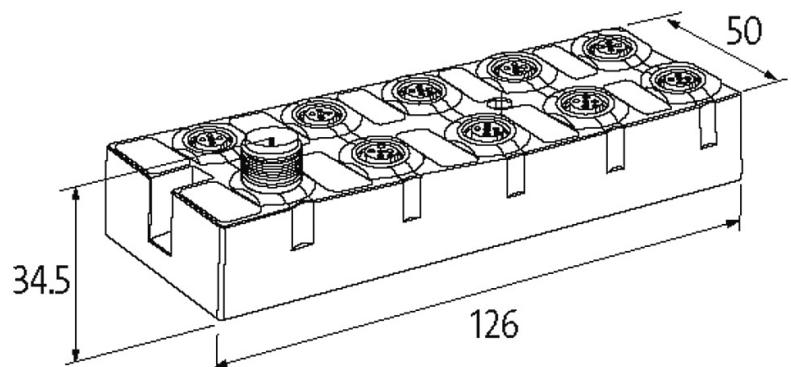
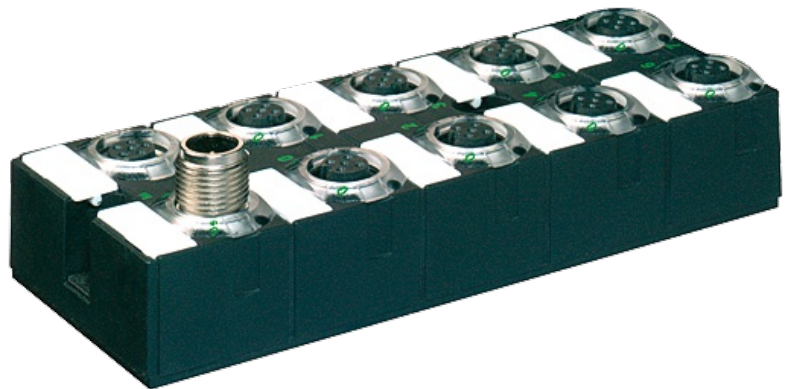
16 digital NPN inputs

Expansion module  
DI16 - (E) NPN (8×M12)

Connection cables are in the online shop under "Connection Technology". Housing fully potted.

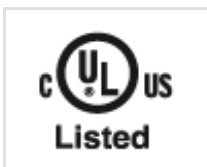
### [Link to Product](#)

#### Illustration



Product may differ from Image

#### Approvals



#### Input

Sensor supply US

24 V DC (EN 61131-2), max. 200 mA (M12 female), short-circuit and overload protected

Type

for 3-wire sensors or mechanical switches, NPN, (EN 61131-2)

Input filter	1 ms
--------------	------

### Internal communication

Current consumption	max. 50 mA
---------------------	------------

LED display	US: sensor supply and internal supply voltage (green: OK); UA: actuator supply (green: OK)
-------------	--

### Connections

Fieldbus	via internal system connection
----------	--------------------------------

Sensor-system/actuator supply	via internal system connection (max. 2×4 A)
-------------------------------	---

I/O ports	M12 (female) 5-pole, A-coded
-----------	------------------------------

### General data

Protection	IP67
------------	------

Mounting method	2-hole screw mounting
-----------------	-----------------------

Temperature range	0...+55 °C (storage temperature -20...+75 °C)
-------------------	---

Dimensions H × W × D	126×50×34.5 mm
----------------------	----------------

### Parameterization

PIN 2	Input/Diagnostic
-------	------------------

PIN 4	Input
-------	-------

### Diagnostic

Communication status	via LED
----------------------	---------

Diagnostic via LED	per module and channel
--------------------	------------------------

Diagnostic via BUS	per module and channel
--------------------	------------------------

Monitoring - under voltage	yes
----------------------------	-----

Monitoring - no voltage	yes
-------------------------	-----

Short-circuit and overload	yes
----------------------------	-----

### Commercial data

country of origin	DE
-------------------	----

customs tariff number	85389099
-----------------------	----------

EAN	4048879048552
-----	---------------

eClass	27242604
--------	----------

Packaging unit	1
----------------	---