

Cube67 Valve-Interface, I/O Extension Module

DO8, Festo CPV, Sub-D 25 pol., 0,6m

Expansion module

DO8 - Valve (E) 0.5 m

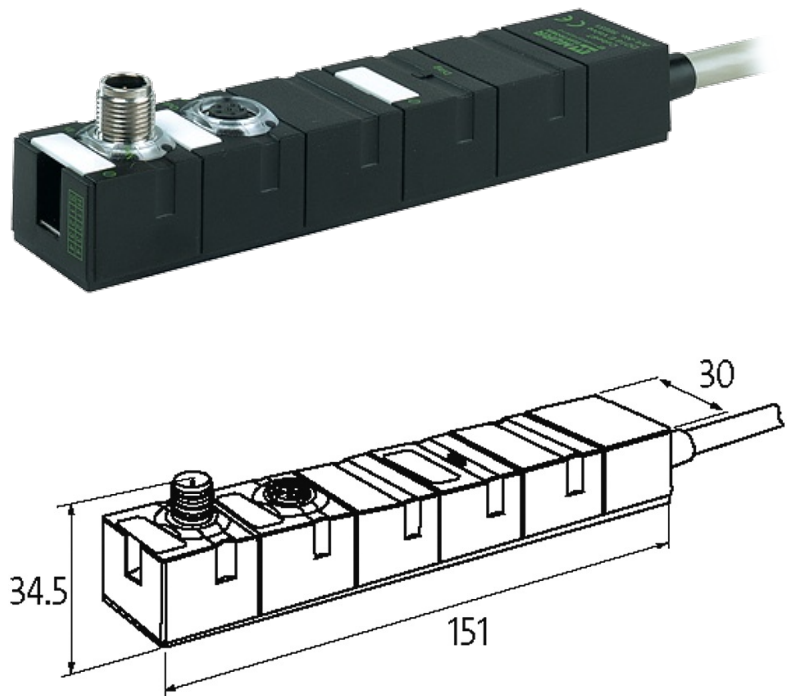
Multipole plug (70 mA)

FESTO - CPV (SUB-D25)

Connection cables are in the online shop under "Connection Technology". Housing fully potted.

[Link to Product](#)

Illustration



Product may differ from Image

Internal communication

Current consumption	max. 50 mA
LED display	US: sensor supply and internal supply voltage (green: OK); UA: actuator supply (green: OK)

Connections

Fieldbus	via internal system connection
Sensor-system/actuator supply	via internal system connection (max. 2×4 A)
I/O ports	FESTO - CPV (SUB-D25)

Cables

No./diameter of wires	10 × 0.34 mm ²
Material (jacket)	PUR
Cable Length	0.5 m

General data

Dimensions H × W × D	150×30×34.5 mm
Protection	IP67
Mounting method	2-hole screw mounting
Temperature range	0...+55 °C (storage temperature -20...+75 °C)

Output

Actuator supply UA	24 V DC (EN 61131-2), via system connection (max. 4 A)
Switching current per output	max. 0.05 A (short-circuit and overload protected)

Diagnostic

Communication status	via LED
Diagnostic via LED	per module
Diagnostic via BUS	per module and channel
Monitoring - under voltage	yes
Monitoring - no voltage	yes
Short-circuit and overload	yes
Actuator warning	per channel via BUS

Commercial data

country of origin	DE
customs tariff number	85444290
EAN	4048879045094
eClass	27242604
Packaging unit	1