

CUBE67 I/O EXTENSION MODULE, VA

4 analog inputs

Expansion module

AI4 - (E) 4×M12 (U)

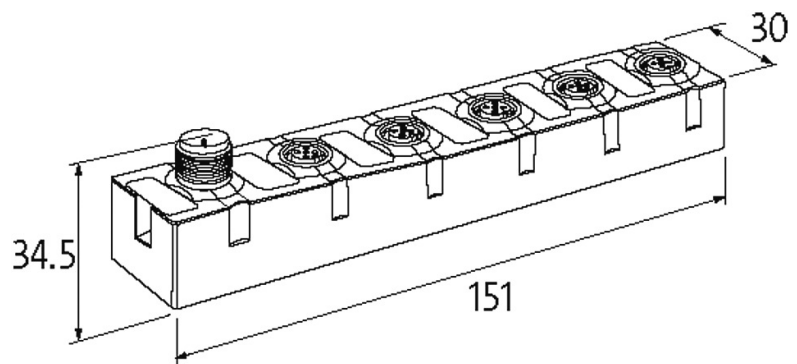
Voltage

Metal parts: Stainless steel

Connection cables are in the online shop under "Connection Technology". Housing fully potted.

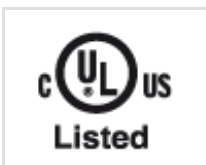
[Link to Product](#)

Illustration



Product may differ from Image

Approvals



Input

Conversion time (analog)	approx. 2 ms (per channel)
Sensor supply U _{IC}	24 V DC (EN 61131-2), max. 200 mA (M12 female), short-circuit

The information in this brochure has been compiled with the utmost care.

Liability for the correctness completeness and topicality of the information is restricted to gross negligence. Version: 03/19

Murrelektronik GmbH | Falkenstraße 3 | 71570 Oppenweiler | Fon +49 (71 91) 47-0 | Fax +49 (71 91) 47-491000 | shop@murrelektronik.com | shop.murrelektronik.com

sensor supply UB	and overload protected
Resolution (analog)	15 Bit + sign
Accuracy	max. $\pm 0.5\%$ (of range limit)

Internal communication

Current consumption	max. 50 mA
LED display	US: sensor supply and internal supply voltage (green: OK); UA: actuator supply (green: OK)

Connections

Fieldbus	via internal system connection
Sensor-system/actuator supply	via internal system connection (max. 2x4 A)
I/O ports	M12 (female) 5-pole, A-coded

General data

Protection	IP67
Mounting method	2-hole screw mounting
Temperature range	0...+55 °C (storage temperature -20...+75 °C)
Dimensions H x W x D	151x30x34.5 mm

Voltage inputs

Input resistor	approx. 1 M Ω , differential input
Input range	± 10 V DC, 0...10 V DC

Diagnostic

Communication status	via LED
Diagnostic via LED	per module and channel
Diagnostic via BUS	per module and channel
Monitoring - under voltage	yes
Monitoring - no voltage	yes
Short-circuit and overload	yes
Actuator warning	per channel via LED and BUS
Wire break upper/lower limit overload	per channel via LED and BUS

Commercial data

country of origin	DE
customs tariff number	85389099
EAN	4048879044837
eClass	27242601
Packaging unit	1