

CUBE67 I/O COMPACT MODULE

4 analog inputs

Compact module

AI4 - (C) 4×M12 (RTD)

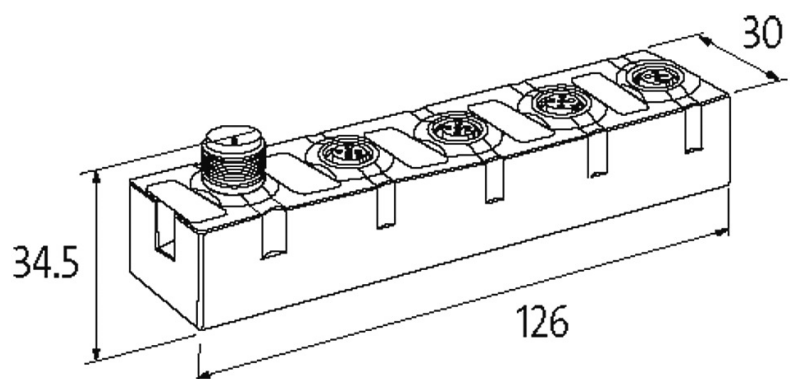
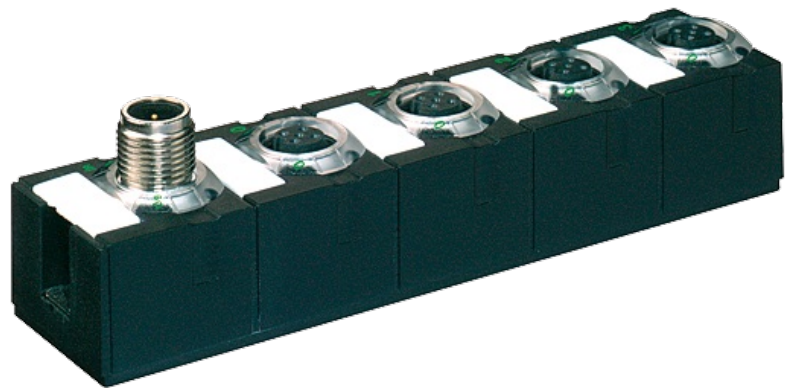
for resistors and temperature

Metal parts: Stainless steel

Connection cables are in the online shop under "Connection Technology". Housing fully potted.

[Link to Product](#)

Illustration



Product may differ from Image

Approvals



Input

| | |
|-------------|---|
| Sensor type | Pt100, 200, 500, 1000; Ni100, 120, 200, 500, 1000; R 0...3000 Ω |
|-------------|---|

| | |
|--------------------------|-----------------------------------|
| Conversion time (analog) | approx. 58 ms per channel |
| Resolution (analog) | 15 Bit + sign |
| Accuracy | max. $\pm 0.5\%$ (of range limit) |
| Accuracy (Ni) | max. $\pm 1\%$ (of range limit) |
| Connection | 2-, 3-, 4-wire technology |

Internal communication

| | |
|---------------------|--|
| Current consumption | max. 50 mA |
| LED display | US: sensor supply and internal supply voltage (green: OK); UA: actuator supply (green: OK) |

Connections

| | |
|-------------------------------|---|
| Fieldbus | via internal system connection |
| Sensor-system/actuator supply | via internal system connection (max. 2x4 A) |
| I/O ports | M12 (female) 5-pole, A-coded |

General data

| | |
|----------------------|---|
| Protection | IP67 |
| Mounting method | 2-hole screw mounting |
| Temperature range | 0...+55 °C (storage temperature -20...+75 °C) |
| Dimensions H x W x D | 126x30x34.5 mm |

Diagnostic

| | |
|---------------------------------------|-----------------------------|
| Communication status | via LED |
| Diagnostic via LED | per module and channel |
| Diagnostic via BUS | per module and channel |
| Monitoring - under voltage | yes |
| Monitoring - no voltage | yes |
| Short-circuit and overload | yes |
| Actuator warning | per channel via LED and BUS |
| Wire break upper/lower limit overload | per channel via LED and BUS |

Commercial data

| | |
|-----------------------|---------------|
| country of origin | DE |
| customs tariff number | 85389099 |
| EAN | 4048879044790 |
| eClass | 27242601 |
| Packaging unit | 1 |