

CUBE67+ Hygienic Design I/O EXTENSION MODULE

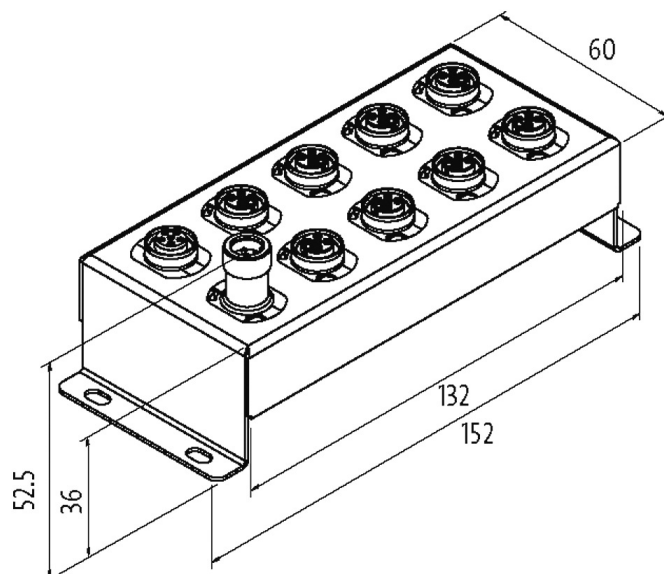
12 multif. channels + 4 IO-Link master V1.1

Expansion module
 DIO12/IOL4 - (E) 8×M12
 IO-Link Master V1.12
 Digital inputs/outputs (multifunctional)
 Hygienic Design
 Stainless Steel, polished

Connection cable: F&B, F&B Pro, Steel Connection cables are in the online shop under "Connection Technology". Cube67+ modules can only be operated on Cube67+, EtherNet/IP, PROFIBUS + PROFINET bus nodes. Housing fully potted.

[Link to Product](#)

Illustration



Product may differ from Image

Approvals



More Info



Input

Sensor supply US	24 V DC (EN 61131-2), max. 200 mA (port 0...3); max. 700 mA (port 4...7)
Type	for 3-wire sensors or mechanical switches, PNP
Input filter	1 ms

Internal communication

Current consumption	max. 100 mA
LED display	US: sensor supply (green: OK); IOL: (green: OK); UA: actuator supply (green: OK)

Connections

Fieldbus	via internal system connection
Sensor-system/actuator supply	via internal system connection (max. 2×4 A)
I/O ports	M12 (female) 5-pole, A-coded

General data

Protection	IP69K
Mounting method	2-hole screw mounting
Temperature range	0...+55 °C (storage temperature -20...+75 °C)
Compatible with:	56521; 56526; 56535
Dimensions H × W × D	126×30×34.5 mm

IO-Link

IO-Link	4 × Master
Operating modes	COM1; COM2; COM3 (automatic)
Transfer parameters	32 Byte (via IO-Link Port)
Port Class	Class A + B (not galvanically separated)
Specification	IO-Link Master V1.12

Output

Actuator supply UA	24 V DC (EN 61131-2), via system connection (max. 4 A)
Switching current per output	max. 1.6 A (short-circuit and overload protected)
Lamp load	30 W

Parameterization

PIN 2	Input/Output/Diagnostic
PIN 4	Input/Output (port 0...3); IO-Link Master (port 4...7)

Diagnostic

Communication status	via LED
Diagnostic via LED	per module and channel
Diagnostic via BUS	per module and channel
Monitoring - under voltage	yes
Monitoring - no voltage	yes
Short-circuit and overload	yes
Actuator warning	per channel via LED and BUS

Commercial data

country of origin	DE
customs tariff number	85389099
EAN	4048879697316
eClass	27242604
Packaging unit	1