

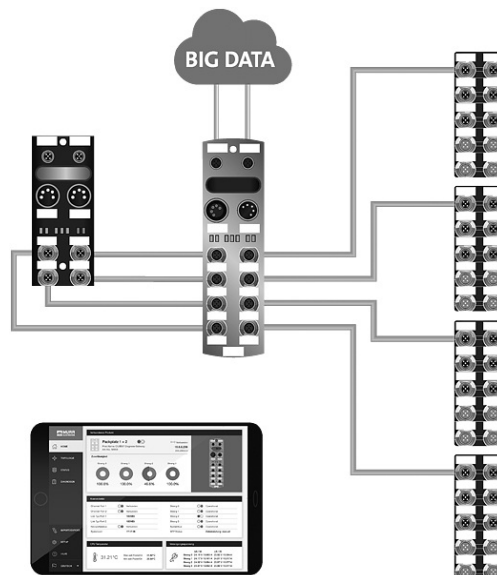
Cube67 Diagnostic Gateway

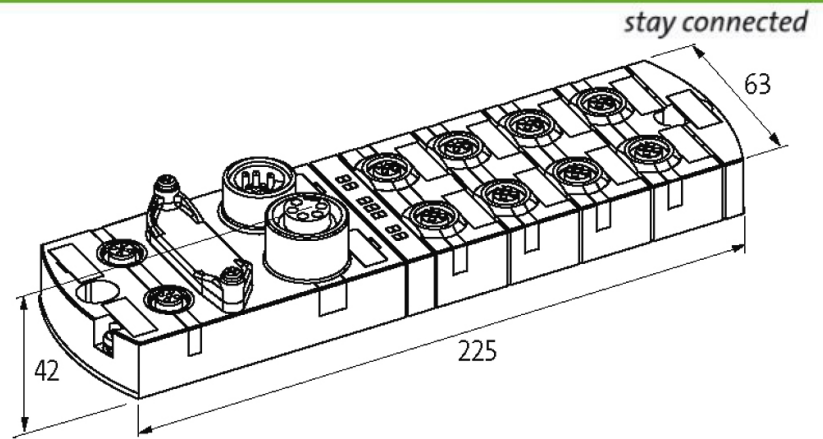
Diagnosis made easy, Simple system overview

Cube67
Diagnostic gateway
Ethernet TCP/IP

[Link to Product](#)

Illustration





Product may differ from Image

Approvals



Connections

Fieldbus	2 × M12 (female), D-coded
Internal system connection	8 × M12 (female), 6-pole
Supply	2 × 7/8" (male/female), 5-pole

Module supply

Operating voltage	24 V DC ±25%
Current consumption	max. 200 mA

General data

Protection	IP67
Mounting method	2-hole screw mounting
Dimensions H × W × D	42×63×225 mm
Temperature range	0...+55 °C (storage temperature -25...+70 °C)

Cube system

Cube67 system connection	yes
--------------------------	-----

Protection

Reverse polarity protection module	yes
Over voltage protection	yes

Commercial data

country of origin	DE
customs tariff number	85389099
EAN	4048879652216
eClass	27242608
Packaging unit	1