

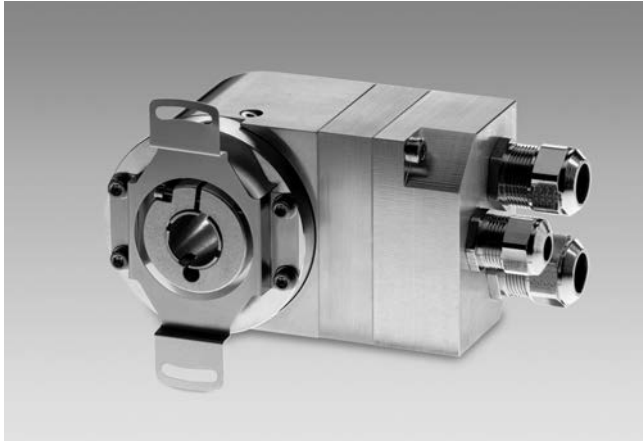
Absolute encoders - modular bus covers

Through hollow shaft up to $\varnothing 14$ mm

Optical singleturn encoders 13 bit

CANopen® / DeviceNet / EtherNet-IP / Profibus / PROFINET

G0AMH



G0AMH with modular bus cover

Technical data - electrical ratings

Voltage supply	10...30 VDC
Reverse polarity protection	Yes
Consumption w/o load	≤ 100 mA (24 VDC)
Initializing time typ.	250 ms after power on
Interfaces	CANopen®, DeviceNet, EtherNet/IP, Profibus-DPV0, PROFINET
Function	Singleturn
Device adress	Rotary switches in bus cover or via interface
Steps per revolution	≤ 8192 / 13 bit
Absolute accuracy	$\pm 0.025^\circ$
Sensing method	Optical
Code	Binary
Code sequence	CW/CCW programmable
Interference immunity	DIN EN 61000-6-2
Emitted interference	DIN EN 61000-6-4
Programmable parameters	Steps per revolution Preset Scaling Rotating direction
Diagnostic function	Position or parameter error
Status indicator	DUO-LED integrated in bus cover
Approval	UL approval / E63076

Features

- Encoder singleturn / bus cover
- Optical sensing method
- Resolution: singleturn 13 bit
- Through hollow shaft up to $\varnothing 14$ mm
- CANopen®/DeviceNet/EtherNet-IP/Profibus/PROFINET
- High reliability by self-diagnostics
- Encoder for parameterization
- Maximum resistant against magnetic fields

Optional

- Stainless steel design with protection IP 69K

Technical data - mechanical design

Size (flange)	$\varnothing 58$ mm
Shaft type	$\varnothing 10...14$ mm (through hollow shaft)
Protection DIN EN 60529	IP 54, IP 65 (optional)
Operating speed	≤ 6000 rpm (mechanical) ≤ 6000 rpm (electric)
Starting acceleration	≤ 1000 U/s ²
Starting torque	≤ 0.04 Nm (+25 °C, IP 54)
Rotor moment of inertia	20 gcm ²
Materials	Housing: aluminium Flange: aluminium Bus cover: aluminium
Operating temperature	-25...+85 °C -40...+85 °C (optional)
Relative humidity	95 % non-condensing
Resistance	DIN EN 60068-2-6 Vibration 10 g, 16-2000 Hz DIN EN 60068-2-27 Shock 200 g, 6 ms
Weight approx.	600 g
Connection	Bus cover

Absolute encoders - modular bus covers

Through hollow shaft up to $\varnothing 14$ mm
Optical singleturn encoders 13 bit
CANopen® / DeviceNet / EtherNet-IP / Profibus / PROFINET

G0AMH

Part number

G0AMH. 20

Interface

3EA2	PROFINET / connector M12
3P32	Profibus-DPV0 / cable gland
3PA2	Profibus-DPV0 / connector M12
5P32	CANopen® / cable gland
8EA2	EtherNet/IP / connector M12
8P22	DeviceNet / cable gland

Through hollow shaft / clamping ring

8	$\varnothing 10$ mm, without pin / on flange
9	$\varnothing 10$ mm, pin 15 mm / on flange
0	$\varnothing 12$ mm, without pin / on flange
1	$\varnothing 12$ mm, pin 15 mm / on flange
4	$\varnothing 14$ mm, without pin / on flange
5	$\varnothing 14$ mm, pin 15 mm / on flange
L	$\varnothing 12$ mm, without pin / on housing
A	$\varnothing 12$ mm, pin 23.5 mm / on housing
M	$\varnothing 14$ mm, without pin / on housing
E	$\varnothing 14$ mm, pin 23.5 mm / on housing

CD with file descriptions is not included in the delivery.
You may order them on CD as accessory under part number Z 150.022.

Accessories

Connectors and cables

11034355	Cable connector M12, 4-pin, on both sides, D-coded, 5 m cable (Z 185.E05)
----------	---

Mounting accessories

10139345	Torque support by rubber buffer for encoders with 15 mm pin (Z 119.041)
10147837	Spring coupling for one-side attachment, length 35 mm (Z 119.050)
11034106	Spring coupling for motor's fan guard (Z 119.053)
10165157	Spring coupling for encoders with $\varnothing 58$ mm housing, hole distance 73 mm (Z 119.072)
11034121	Spring coupling for encoders with $\varnothing 58$ mm housing, hole distance 68 mm (Z 119.073)
11034123	Spring coupling for one-side attachment, length 115 mm (Z 119.076)
11003562	Spring coupling for encoders with $\varnothing 58$ mm housing, hole distance 63 mm (Z 119.082)
11098229	Clamping ring set 16/30x6 - stainless steel (Z 119.092)

Programming accessories

10146710	CD with describing files & manuals (Z 150.022)
----------	--

Absolute encoders - modular bus covers

Through hollow shaft up to $\varnothing 14$ mm

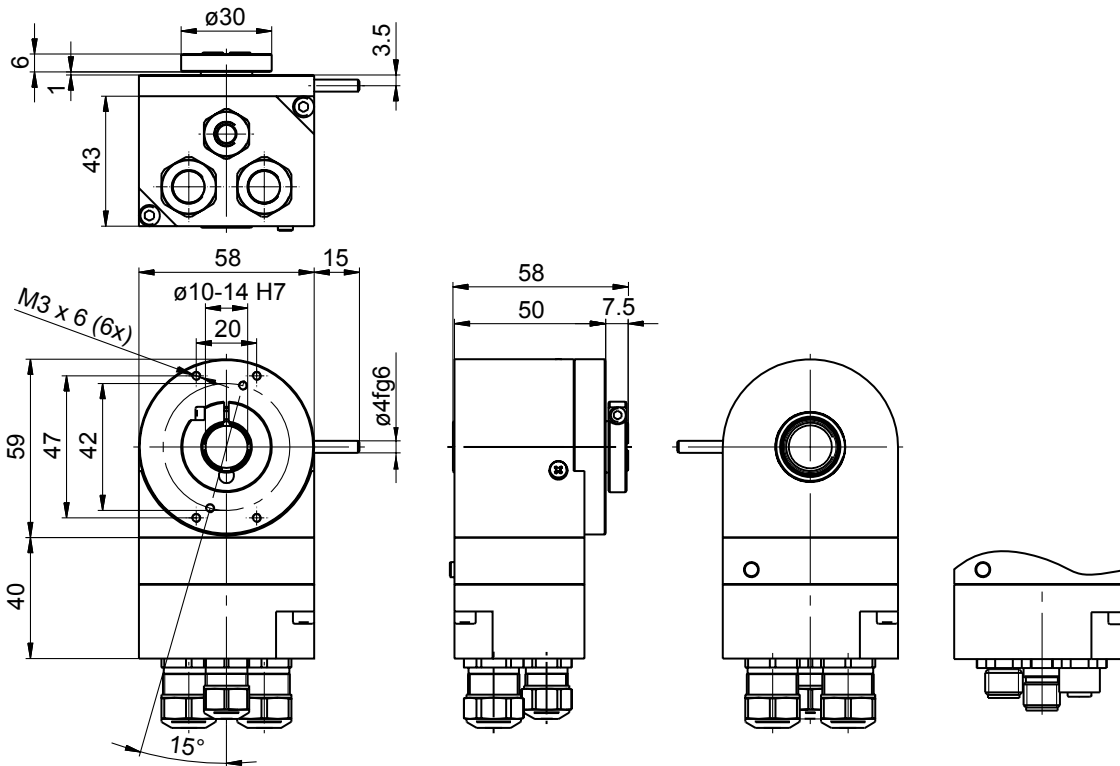
Optical singleturn encoders 13 bit

CANopen® / DeviceNet / EtherNet-IP / Profibus / PROFINET

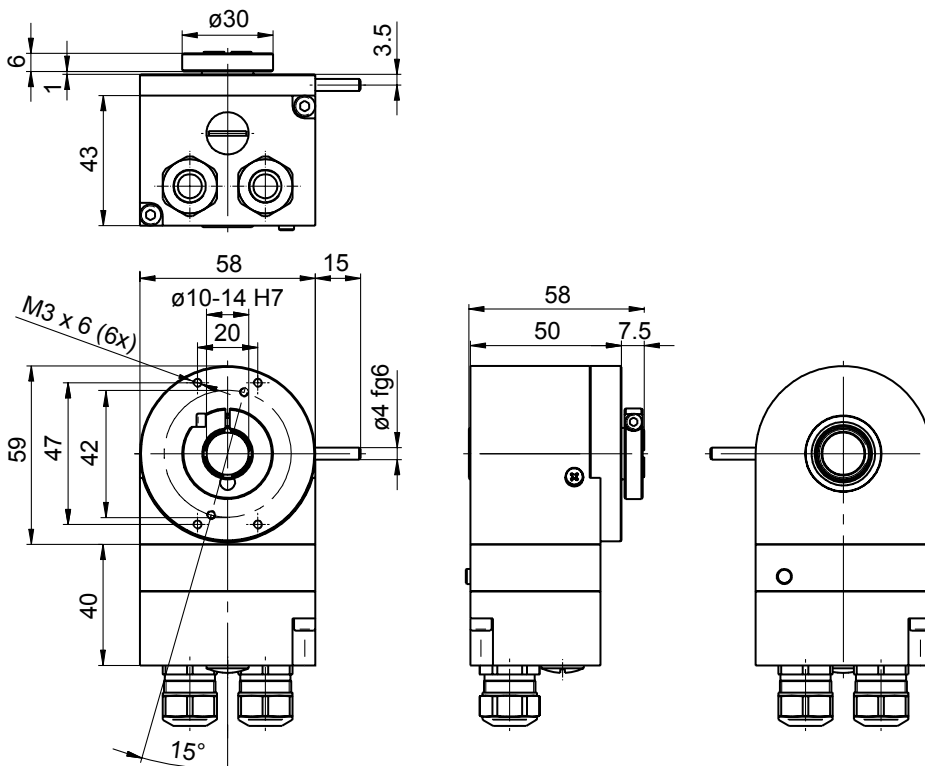
G0AMH

Dimensions

G0AMH - clamping ring on flange / CANopen®, Profibus



G0AMH - clamping ring on flange / DeviceNet



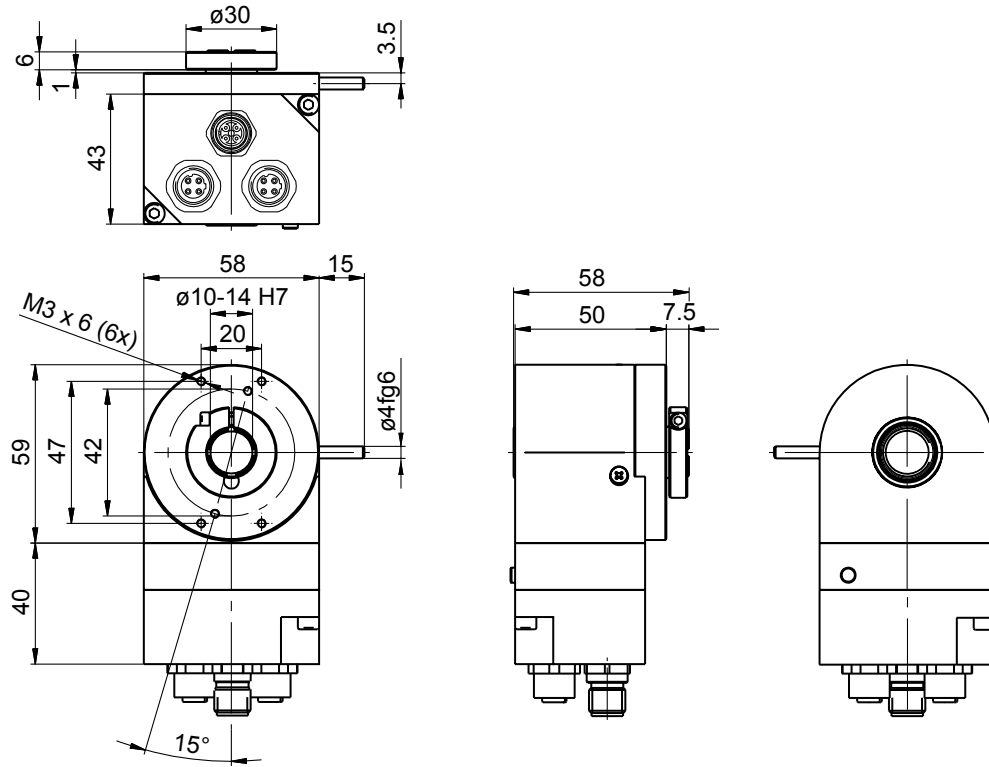
Absolute encoders - modular bus covers

Through hollow shaft up to $\varnothing 14$ mm
 Optical singleturn encoders 13 bit
 CANopen® / DeviceNet / EtherNet-IP / Profibus / PROFINET

G0AMH

Dimensions

G0AMH - clamping ring on flange / EtherNet-IP, PROFINET



G0AMH - clamping ring on housing

