

Absolute encoders - SSI

Through hollow shaft up to $\varnothing 14$ mm

Optical multiturn encoders 14 bit ST / 12 bit MT

G0M2H



G0M2H with through hollow shaft

Features

- Encoder multiturn / SSI
- Optical sensing method
- Resolution: singleturn 14 bit, multiturn 12 bit
- Through hollow shaft up to $\varnothing 14$ mm
- Compact design
- Cost-efficient mounting
- High reliability by self-diagnostics
- Counting direction input
- Available with additional incremental output
- Maximum resistant against magnetic fields

Technical data - electrical ratings

Voltage supply	10...30 VDC
Reverse polarity protection	Yes
Consumption w/o load	≤ 50 mA (24 VDC)
Initializing time typ.	20 ms after power on
Interfaces	SSI, Incremental A 90° B (optional)
Function	Multiturn
Steps per revolution	≤ 16384 / 14 bit
Number of revolutions	4096 / 12 bit
Absolute accuracy	$\pm 0.025^\circ$
Sensing method	Optical
Code	Gray or binary
Code sequence	CW/CCW coded by connection
Inputs	SSI clock Control signals UP/DOWN inv. and zero
Output stages	SSI data: Linedriver RS422 Diagnostic outputs push-pull
Incremental output	2048 pulses A90°B + inverted
Interference immunity	DIN EN 61000-6-2
Emitted interference	DIN EN 61000-6-4
Diagnostic functions	Self-diagnosis Multiturn sensing
Approval	UL approval / E63076

Technical data - mechanical design

Size (flange)	$\varnothing 58$ mm
Shaft type	$\varnothing 10...14$ mm (through hollow shaft)
Protection DIN EN 60529	IP 54, IP 65 (optional)
Operating speed	≤ 6000 rpm (mechanical) ≤ 6000 rpm (electric)
Starting acceleration	≤ 1000 U/s ²
Starting torque	≤ 0.04 Nm (+25 °C, IP 54)
Rotor moment of inertia	20 gcm ²
Materials	Housing: aluminium Flange: aluminium
Operating temperature	-25...+85 °C -40...+85 °C (optional)
Relative humidity	95 % non-condensing
Resistance	DIN EN 60068-2-6 Vibration ± 0.75 mm - 10-58 Hz 10 g - 58-2000 Hz DIN EN 60068-2-27 Shock 200 g, 6 ms
Weight approx.	400 g
Connection	Connector M23, 12-pin Cable 1 m

Absolute encoders - SSI

Through hollow shaft up to $\varnothing 14$ mm
Optical multiturn encoders 14 bit ST / 12 bit MT

G0M2H

Part number

G0M2H.

Pulses / Incremental output

- 02 No incremental output
- 04 2048 pulses / push-pull
- 06 2048 pulses / RS422
- 07 2048 periods / SinCos

Connection

- A1 Connector M23, 12-pin, radial
- A3 Connector M23, 12-pin, radial, for incremental output 04/06/07
- 21 Cable 1 m, radial
- 41 Cable 1 m, radial, for incremental output 04/06/07

Voltage supply / signals

- 10 10...30 VDC / gray code 25 bit (ST 13 + MT 12)
- 12 10...30 VDC / binary code 25 bit (ST 13 + MT 12)
- 20 10...30 VDC / gray code 24 bit (ST 12 + MT 12)
- 90 10...30 VDC / gray code 26 bit (ST 14 + MT 12)
- 92 10...30 VDC / binary code 26 bit (ST 14 + MT 12)

Through hollow shaft / clamping ring

- 8 $\varnothing 10$ mm, without pin / on flange
- 9 $\varnothing 10$ mm, pin 15 mm / on flange
- 0 $\varnothing 12$ mm, without pin / on flange
- 1 $\varnothing 12$ mm, pin 15 mm / on flange
- 4 $\varnothing 14$ mm, without pin / on flange
- 5 $\varnothing 14$ mm, pin 15 mm / on flange
- L $\varnothing 12$ mm, without pin / on housing
- A $\varnothing 12$ mm, pin 23.5 mm / on housing
- M $\varnothing 14$ mm, without pin / on housing
- E $\varnothing 14$ mm, pin 23.5 mm / on housing

· Subject to modification in technic and design. Errors and omissions excepted.

Absolute encoders - SSI

Through hollow shaft up to $\varnothing 14$ mm

Optical multiturn encoders 14 bit ST / 12 bit MT

G0M2H

Accessories

Connectors and cables

11034154	Female connector M23, 12-pin, without cable (Z 130.001)
10138559	Female connector M23, 12-pin, 2 m cable (Z 130.003)
11034156	Female connector M23, 12-pin, 3 m cable (Z 130.004)
10126594	Female connector M23, 12-pin, 5 m cable (Z 130.005)
10129757	Female connector M23, 12-pin, 10 m cable (Z 130.007)
11042991	Female connector M23, 12-pin, 15 m cable (Z 130.M15)
11034344	Female connector M23, 12-pin, without cable (incr.) (Z 182.001)
11034345	Female connector M23, 12-pin, 2 m (incr.) (Z 182.003)
11034346	Female connector M23, 12-pin, 5 m (incr.) (Z 182.005)
11076757	Female connector M23, 12-pin, 8 m (incr.) (Z 182.M08)
11034347	Female connector M23, 12-pin, 10 m (incr.) (Z 182.007)
11051323	Female connector M23, 12-pin, 15 m (incr.) (Z 182.M15)

Mounting accessories

10140347	Torque support and spring washer for encoders with 9.5 mm pin (Z 119.024)
10139345	Torque support by rubber buffer for encoders with 15 mm pin (Z 119.041)
10147837	Spring coupling for one-side attachment, length 35 mm (Z 119.050)
11034106	Spring coupling for motor's fan guard (Z 119.053)
10165157	Spring coupling for encoders with $\varnothing 58$ mm housing, hole distance 73 mm (Z 119.072)
11034121	Spring coupling for encoders with $\varnothing 58$ mm housing, hole distance 68 mm (Z 119.073)
11034123	Spring coupling for one-side attachment, length 115 mm (Z 119.076)
11003562	Spring coupling for encoders with $\varnothing 58$ mm housing, hole distance 63 mm (Z 119.082)
11098229	Clamping ring set 16/30x6 - stainless steel (Z 119.092)

Absolute encoders - SSI

Through hollow shaft up to $\varnothing 14$ mm

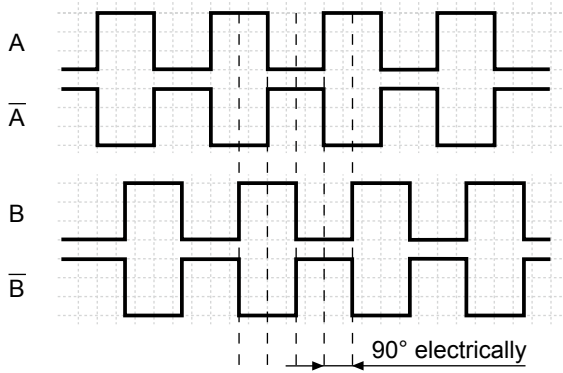
Optical multiturn encoders 14 bit ST / 12 bit MT

G0M2H

Output signals

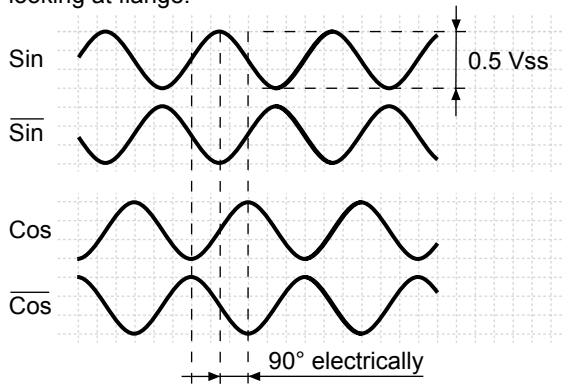
Push-pull and RS422

A leading B when rotating the shaft clockwise and looking at flange.

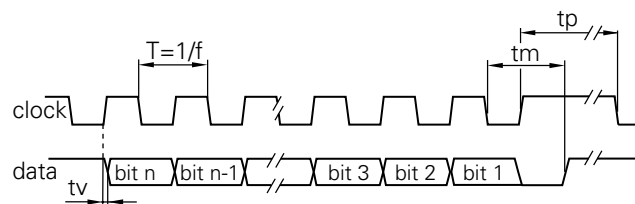


SinCos

Sin leading Cos when rotating the shaft clockwise and looking at flange.



Data transfer



Clock frequency f	62.5...1500 kHz
Duty cycle of T	40...60 %
Delay time t_v	150 ns
Monoflop time t_m	$26 \mu s + T/2$
Clock interval t_p	30 μs

Trigger level

SSI	Circuit
SSI-Clock	Optocoupler, RS422 with terminating resistor
SSI-Data	Linedriver RS422 or RS485

Control inputs	Input circuit
Input level High	$>0.7 U_B$
Input level Low	$<0.3 U_B$
Input resistance	10 k Ω

Diagnostic outputs or Incremental outputs	Output circuit Push-pull circuit-proof
Output level High	$>U_B - 3.5 V$ ($I = -20$ mA)
Output level Low	$<0.5 V$ ($I = 20$ mA)
Load High / Low	<20 mA

Incremental outputs	Linedriver RS422
Output level High	$>2.5 V$ ($I = -20$ mA)
Output level Low	$<0.5 V$ ($I = 20$ mA)
Load High / Low	<20 mA

Outputs	SinCos
Output level	$0.5 V_{pp} \pm 10 \%$ (Output signals before difference formation)
Load	<10 mA

· Subject to modification in technic and design. Errors and omissions excepted.

Absolute encoders - SSI

Through hollow shaft up to $\varnothing 14$ mm

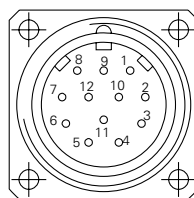
Optical multiturn encoders 14 bit ST / 12 bit MT

G0M2H

Terminal significance	
UB	Encoder voltage supply.
GND	Encoder ground connection relating to UB.
Data+	Positive, serial data output of differential linedriver.
Data-	Negative, serial data output of differential linedriver.
Clock+	Positive SSI clock input. Clock+ together with clock- forms a current loop. A current of approx. 7 mA towards clock+ input means logic 1 in positive logic.
Clock-	Negative SSI clock input. Clock- together with clock+ forms a current loop. A current of approx. 7 mA towards clock- input means logic 0 in positive logic.
Zero setting	Input for setting a zero point anywhere within the programmed encoder resolution. The zero setting operation is triggered by a High impulse and has to be in line with the selected direction of rotation (UP/DOWN). Connect to GND after setting operation for maximum interference immunity. Impulse duration >100 ms.
$\overline{\text{DATAVALID}}$	Diagnostic output. An error warning is given at level Low. Important: Interferences must be filtered by the downstream electronics.
$\overline{\text{DATAVALID MT}}$	Diagnostic output for monitoring the multiturn sensor voltage supply. Upon dropping below a defined voltage level the $\overline{\text{DV MT}}$ output is switched to Low.
$\overline{\text{UP/DOWN}}$	$\overline{\text{UP/DOWN}}$ counting direction input. This input is standard on High. $\overline{\text{UP/DOWN}}$ means ascending output data with clockwise shaft rotation when looking at flange. $\overline{\text{UP/DOWN-Low}}$ means ascending values with counterclockwise shaft rotation when looking at flange.
Incremental Outputs	Incremental tracks A 90° B and inverted.

Terminal assignment		
G0M2H		
Connector	Core colour	Assignment
Pin 1	brown	UB
Pin 2	black	GND
Pin 3	blue	Clock+
Pin 4	beige	Data+
Pin 5	green	Zero setting
Pin 6	yellow	Data-
Pin 7	violet	Clock-
Pin 8	brown/yellow	$\overline{\text{DATAVALID}}$
Pin 9	pink	$\overline{\text{UP/DOWN}}$
Pin 10	black/yellow	$\overline{\text{DATAVALID MT}}$
Pin 11-12	–	–

G0M2H with incremental tracks SinCos			
Connector	Core colour	Assignment	SinCos
Pin 1	brown	UB	UB
Pin 2	white	GND	GND
Pin 3	blue	Clock+	Clock+
Pin 4	green	Data+	Data+
Pin 5	grey	Zero setting	Zero setting
Pin 6	yellow	Data-	Data-
Pin 7	red	Clock-	Clock-
Pin 8	red/blue	Track B inv.	$\overline{\text{Cosine}}$
Pin 9	pink	$\overline{\text{UP/DOWN}}$	$\overline{\text{UP/DOWN}}$
Pin 10	violet	Track A inv.	$\overline{\text{Sine}}$
Pin 11	black	Track A	Sine
Pin 12	grey/pink	Track B	Cosine



Please use cores twisted in pairs (for example clock+ / clock-) for extension cables of more than 10 m length.

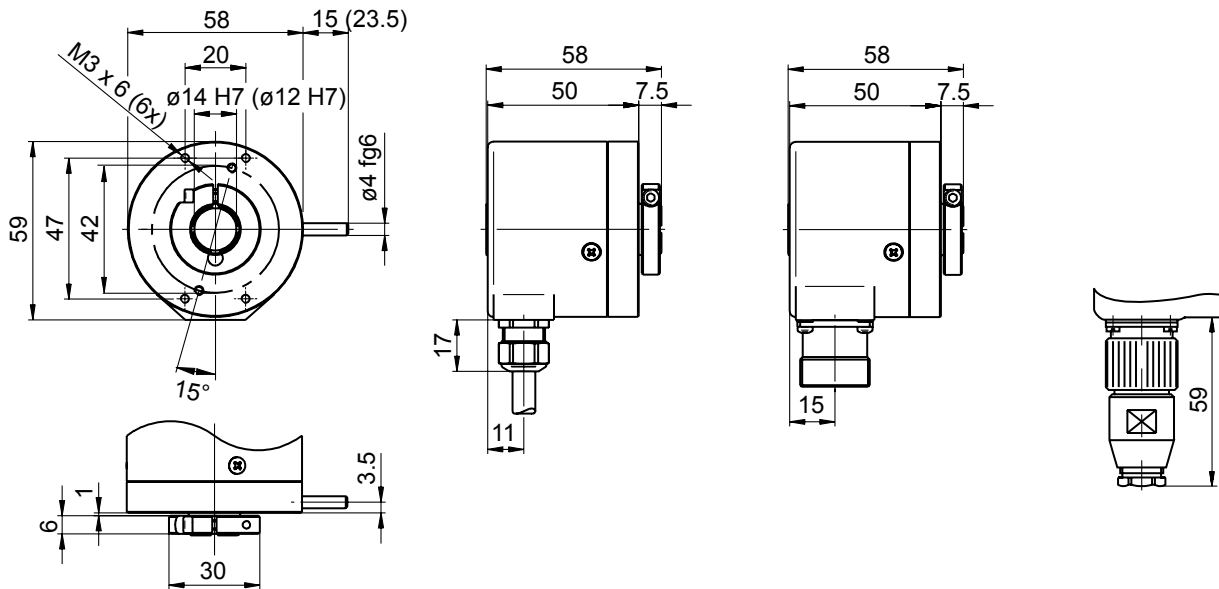
Absolute encoders - SSI

Through hollow shaft up to $\varnothing 14$ mm
Optical multiturn encoders 14 bit ST / 12 bit MT

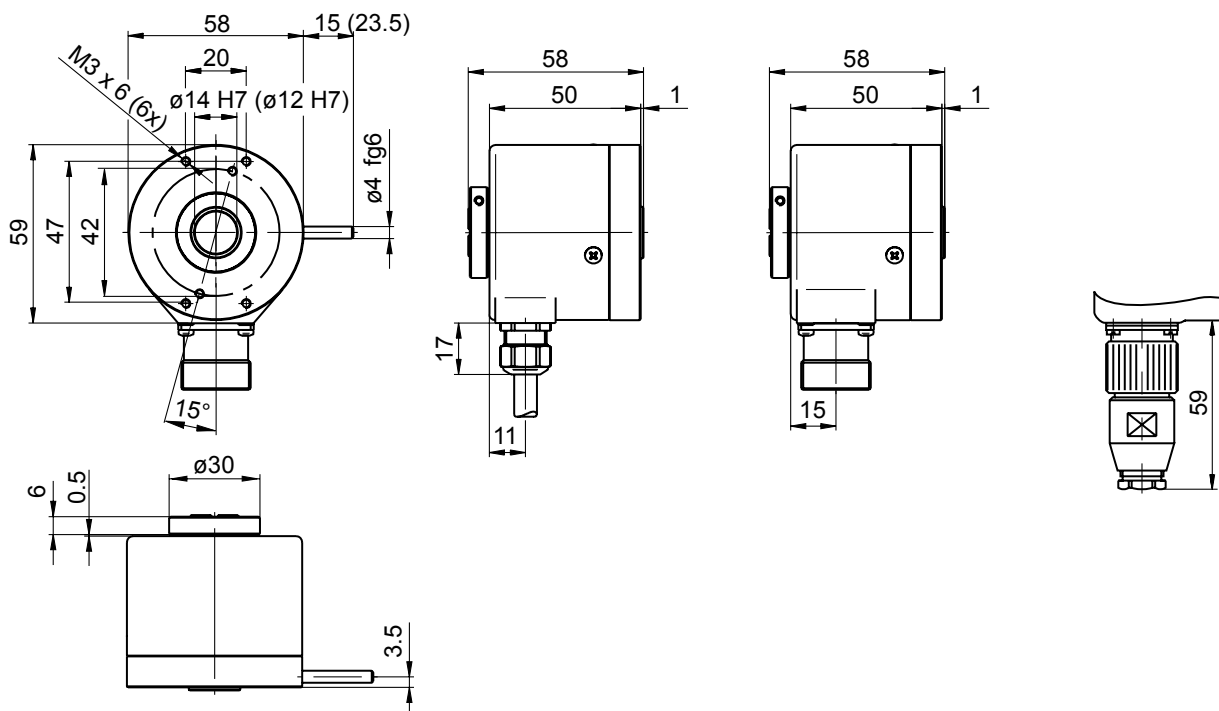
G0M2H

Dimensions

G0M2H - clamping ring on flange



G0M2H - clamping ring on housing



· Subject to modification in technic and design. Errors and omissions excepted.