

Absolute encoders - SSI

Solid shaft with clamping or synchro flange

Optical singleturn encoders up to 19 bit

GBA2W



GBA2W with clamping flange

Features

- High resolution encoder singleturn / SSI
- Optical sensing method
- Resolution: max. 19 bit
- Clamping or synchro flange
- Electronic setting of zero point
- Counting direction input
- Suitable for high positive, negative accelerations
- Available with additional incremental output

Technical data - electrical ratings

Voltage supply	10...30 VDC
Reverse polarity protection	Yes
Consumption w/o load	≤50 mA (24 VDC)
Initializing time typ.	20 ms after power on
Interfaces	SSI, Incremental A 90° B (optional)
Function	Singleturn
Steps per revolution	≤524288 / 19 bit
Absolute accuracy	±0.01 °
Sensing method	Optical
Code	Gray or binary
Code sequence	CW/CCW coded by connection
Inputs	SSI clock Control signals UP/DOWN inv. and zero
Output stages	SSI data: linedriver RS485 Diagnostic outputs push-pull
Incremental output	2048 pulses A90°B + inverted
Interference immunity	DIN EN 61000-6-2
Emitted interference	DIN EN 61000-6-4
Diagnostic function	Self-diagnosis
Approval	UL approval / E63076

Technical data - mechanical design

Size (flange)	ø58 mm
Shaft type	ø10 mm solid shaft (clamping flange) ø6 mm solid shaft (synchro flange)
Flange	Clamping or synchro flange
Protection DIN EN 60529	IP 54 (without shaft seal), IP 65 (with shaft seal)
Operating speed	≤10000 rpm (mechanical) ≤6000 rpm (electric)
Starting torque	≤0.015 Nm (+25 °C, IP 54) ≤0.03 Nm (+25 °C, IP 65)
Rotor moment of inertia	20 gcm ²
Admitted shaft load	≤20 N axial ≤40 N radial
Materials	Housing: aluminium Flange: aluminium
Operating temperature	-25...+85 °C -40...+85 °C (optional)
Relative humidity	95 % non-condensing
Resistance	DIN EN 60068-2-6 Vibration ±0.75 mm - 10-58 Hz 10 g - 58-2000 Hz DIN EN 60068-2-27 Shock 200 g, 6 ms
Weight approx.	400 g
Connection	Connector M23, 12-pin Cable 1 m

· Subject to modification in technic and design. Errors and omissions excepted.

Absolute encoders - SSI

Solid shaft with clamping or synchro flange

Optical singleturn encoders up to 19 bit

GBA2W

Part number

GBA2W.

Pulses / Incremental output

- 05 No incremental output
- 14 2048 pulses / push-pull
- 16 2048 pulses / RS422
- 17 2048 periods / SinCos*

Connection

- A0 Connector M23, 12-pin, axial
- A1 Connector M23, 12-pin, radial
- A4 Connector M23, 12-pin, axial, for incremental output 14/16
- A5 Connector M23, 12-pin, radial, for incremental output 14/16
- 11 Cable 1 m, axial
- 21 Cable 1 m, radial
- 71 Cable 1 m, axial, for incremental output 14/16/17
- 81 Cable 1 m, radial, for incremental output 14/16/17

Voltage supply / signals

- 10 10...30 VDC / gray code 18 bit
- 11 5 VDC / gray code 18 bit
- 12 10...30 VDC / binary code 18 bit
- 13 5 VDC / binary code 18 bit
- 20 10...30 VDC / gray code 17 bit
- 21 5 VDC / gray code 17 bit
- 22 10...30 VDC / binary code 17 bit
- 23 5 VDC / binary code 17 bit
- 30 10...30 VDC / gray code 19 bit
- 32 10...30 VDC / binary code 19 bit

Flange / Solid shaft

- 0 Clamping flange / \varnothing 10 mm, IP 54
- A Clamping flange / \varnothing 10 mm, IP 65
- 1 Synchro flange / \varnothing 6 mm, IP 54
- B Synchro flange / \varnothing 6 mm, IP 65

* On request

· Subject to modification in technic and design. Errors and omissions excepted.

Absolute encoders - SSI

Solid shaft with clamping or synchro flange

Optical singleturn encoders up to 19 bit

GBA2W

Accessories

Connectors and cables

11034154	Female connector M23, 12-pin, without cable (Z 130.001)
10138559	Female connector M23, 12-pin, 2 m cable (Z 130.003)
11034156	Female connector M23, 12-pin, 3 m cable (Z 130.004)
10126594	Female connector M23, 12-pin, 5 m cable (Z 130.005)
10129757	Female connector M23, 12-pin, 10 m cable (Z 130.007)
11042991	Female connector M23, 12-pin, 15 m cable (Z 130.M15)
11034344	Female connector M23, 12-pin, without cable (incr.) (Z 182.001)
11034345	Female connector M23, 12-pin, 2 m (incr.) (Z 182.003)
11034346	Female connector M23, 12-pin, 5 m (incr.) (Z 182.005)
11076757	Female connector M23, 12-pin, 8 m (incr.) (Z 182.M08)
11034347	Female connector M23, 12-pin, 10 m (incr.) (Z 182.007)
11051323	Female connector M23, 12-pin, 15 m (incr.) (Z 182.M15)

Mounting accessories

10117669	Eccentric fixing, single (Z 119.006)
10141255	Adaptor plate for clamping flange for modification into synchro flange (Z 119.013)
10125051	Mounting adaptor for encoders with clamping flange (M3) (Z 119.017)
10141132	Spring washer coupling D1=6 / D2=10 (Z 121.C01)

Absolute encoders - SSI

Solid shaft with clamping or synchro flange

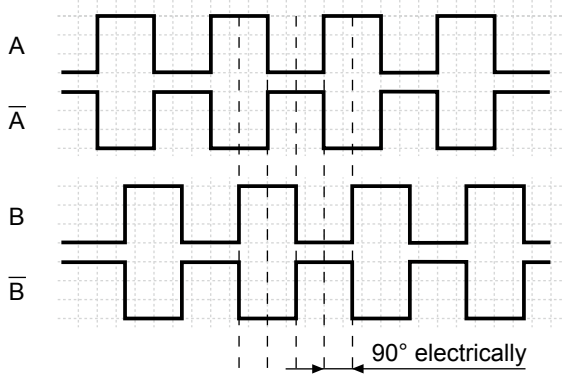
Optical singleturn encoders up to 19 bit

GBA2W

Output signals

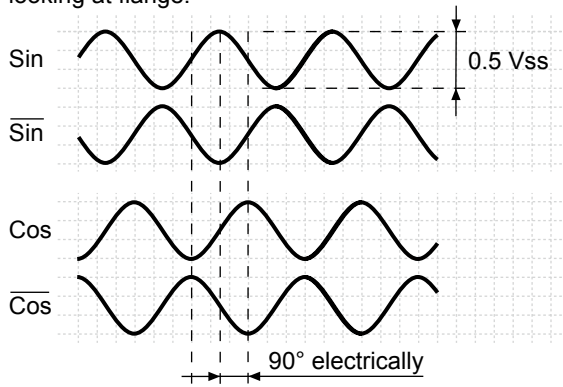
Push-pull and RS422

A leading B when rotating the shaft clockwise and looking at flange.

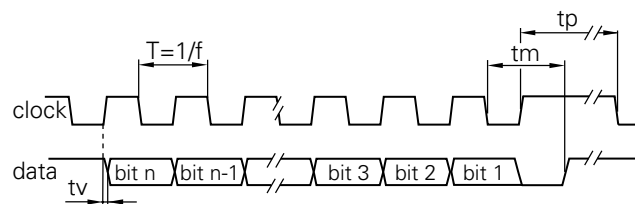


SinCos

Sin leading Cos when rotating the shaft clockwise and looking at flange.



Data transfer



Clock frequency f	62.5...1500 kHz
Duty cycle of T	40...60 %
Delay time tv	150 ns
Monoflop time tm	26 μs + T/2
Clock interval tp	30 μs

Trigger level

SSI	Circuit
SSI-Clock	Optocoupler
SSI-Data	Linedriver RS485

Control inputs

Control inputs	Input circuit
Input level High	>0.7 UB
Input level Low	<0.3 UB
Input resistance	10 kΩ

Diagnostic outputs or Incremental outputs

Diagnostic outputs or Incremental outputs	Output circuit Push-pull circuit-proof
Output level High	>UB -3.5 V (I = -20 mA)
Output level Low	<0.5 V (I = 20 mA)
Load High / Low	<20 mA

Incremental outputs

Incremental outputs	Linedriver RS422
Output level High	>2.5 V (I = -20 mA)
Output level Low	<0.5 V (I = 20 mA)
Load High / Low	<20 mA

Outputs

Outputs	SinCos
Output level	0.5 Vpp ±10 % (Output signals before difference formation)
Load	<10 mA

· Subject to modification in technic and design. Errors and omissions excepted.

Absolute encoders - SSI

Solid shaft with clamping or synchro flange

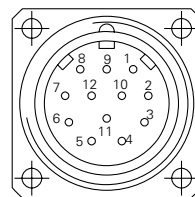
Optical singleturn encoders up to 19 bit

GBA2W

Terminal significance	
UB	Encoder voltage supply.
GND	Encoder ground connection relating to UB.
Data+	Positive, serial data output of differential linedriver.
Data-	Negative, serial data output of differential linedriver.
Clock+	Positive SSI clock input. Clock+ together with clock- forms a current loop. A current of approx. 7 mA towards clock+ input means logic 1 in positive logic.
Clock-	Negative SSI clock input. Clock- together with clock+ forms a current loop. A current of approx. 7 mA towards clock- input means logic 0 in positive logic.
Zero setting	Input for setting a zero point anywhere within the programmed encoder resolution. The zero setting operation is triggered by a High impulse and has to be in line with the selected direction of rotation (UP/DOWN). Connect to GND after setting operation for maximum interference immunity. Impulse duration ≥ 100 ms.
$\overline{\text{UBminOK}}$	Diagnostic output. Level low indicates the operating voltage has dropped below the minimum limit.
$\overline{\text{UP/DOWN}}$	$\overline{\text{UP/DOWN}}$ counting direction input. This input is standard on High. $\overline{\text{UP/DOWN}}$ means ascending output data with clockwise shaft rotation when looking at flange. $\overline{\text{UP/DOWN}}$ -Low means ascending values with counterclockwise shaft rotation when looking at flange.
Incremental Outputs	Incremental tracks A 90° B and inverted.

Terminal assignment		
GBA2W		
Connector	Core colour	Assignment
Pin 1	brown	UB
Pin 2	black	GND
Pin 3	blue	Clock+
Pin 4	beige	Data+
Pin 5	green	Zero setting
Pin 6	yellow	Data-
Pin 7	violet	Clock-
Pin 8	brown/yellow	$\overline{\text{UBminOK}}$
Pin 9	pink	$\overline{\text{UP/DOWN}}$
Pin 10-12	–	–

GBA2W with incremental tracks SinCos			
Connector	Core colour	Assignment Incremental	SinCos
Pin 1	brown	UB	UB
Pin 2	white	GND	GND
Pin 3	blue	Clock+	Clock+
Pin 4	green	Data+	Data+
Pin 5	grey	Zero setting	Zero setting
Pin 6	yellow	Data-	Data-
Pin 7	red	Clock-	Clock-
Pin 8	red/blue	Track B inv.	$\overline{\text{Cosine}}$
Pin 9	pink	$\overline{\text{UP/DOWN}}$	$\overline{\text{UP/DOWN}}$
Pin 10	violet	Track A inv.	$\overline{\text{Sine}}$
Pin 11	black	Track A	Sine
Pin 12	grey/pink	Track B	Cosine



Please use cores twisted in pairs (for example clock+ / clock-) for extension cables of more than 10 m length.

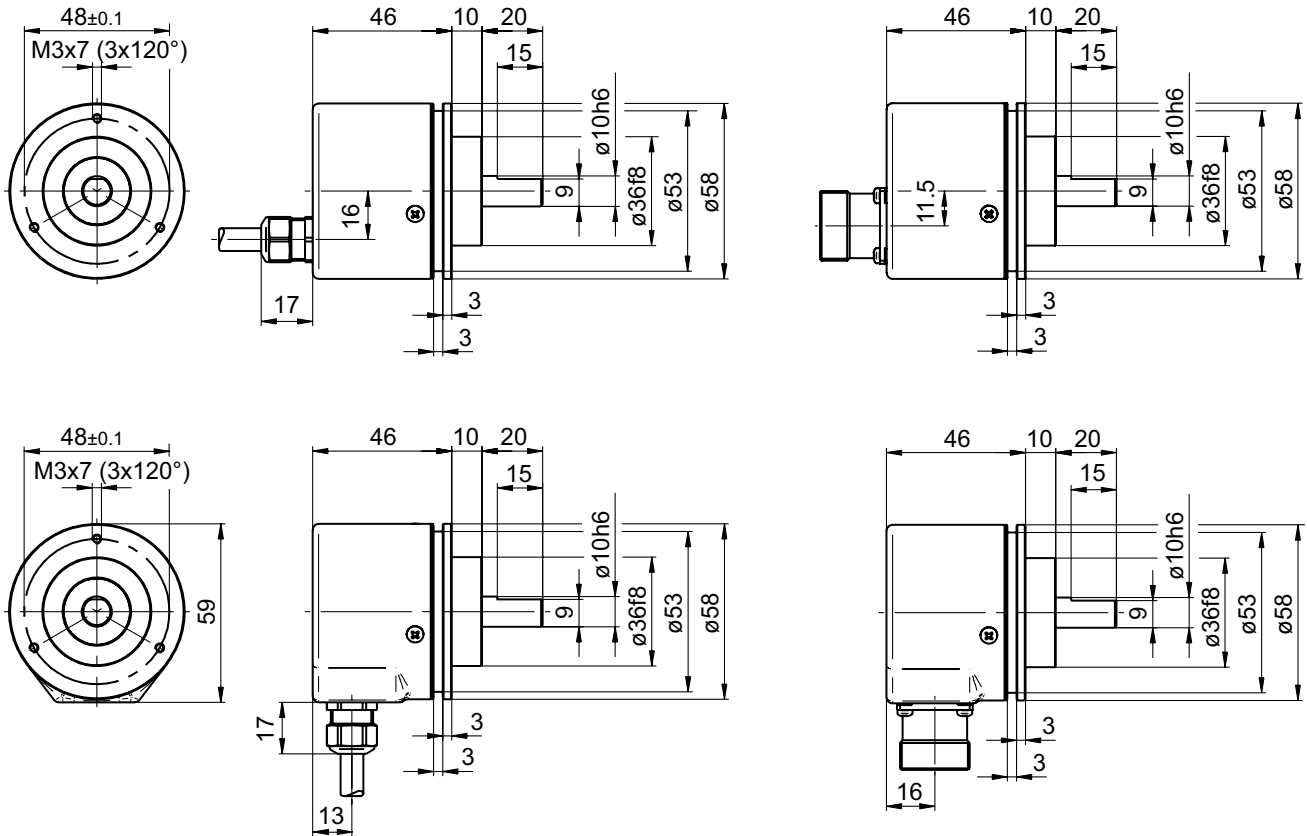
Absolute encoders - SSI

Solid shaft with clamping or synchro flange
Optical singleturn encoders up to 19 bit

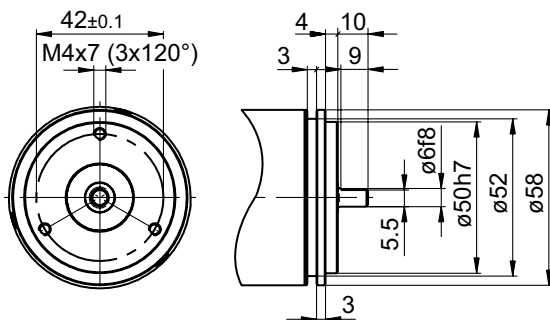
GBA2W

Dimensions

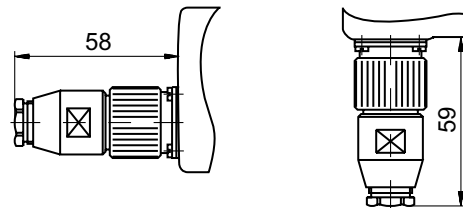
GBA2W - clamping flange



GBA2W - synchro flange



GBA2W - connector dimensions



· Subject to modification in technic and design. Errors and omissions excepted.