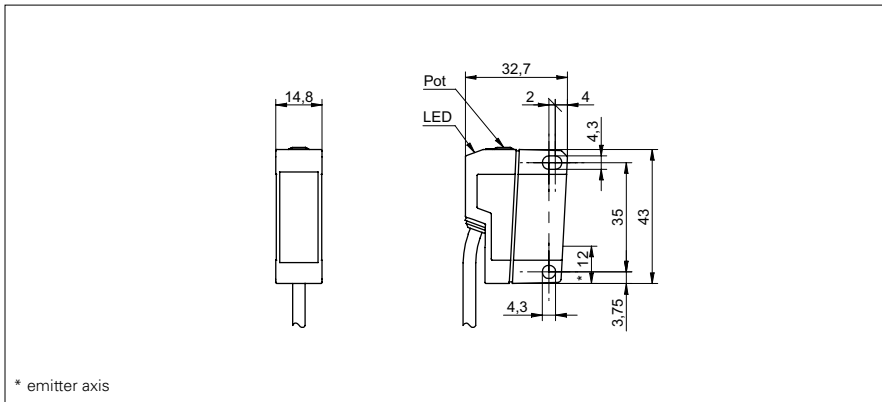


# Diffuse sensors with background suppression

**FHDK 14N5101**

**dimension drawing**



\* emitter axis

**general data**

type	background suppression
light source	pulsed red LED
sensing distance Tw	20 ... 350 mm
sensing range Tb (at Tw max.)	20 ... 350 mm
sensing range Tb (at Tw min.)	5 ... 20 mm
alignment / soiled lens indicator	flashing light indicator
light indicator	LED yellow
sensing distance adjustment	mechanical, 10 turn
wave length	660 nm
suppression of reciprocal influence	yes

**electrical data**

response time / release time	< 1 ms
voltage supply range +Vs	10 ... 30 VDC
current consumption max. (no load)	30 mA
current consumption typ.	25 mA
voltage drop Vd	< 1,8 VDC
output function	light / dark operate
output circuit	NPN
output current	< 100 mA
short circuit protection	yes
reverse polarity protection	yes

**mechanical data**

width / diameter	14,8 mm
height / length	43 mm
depth	32,7 mm
type	rectangular
housing material	plastic (ASA, MABS)
front (optics)	PMMA
connection types	cable 4 pin, 2 m

**ambient conditions**

operating temperature	-25 ... +65 °C
protection class	IP 67

**photo**



**connection diagram**

