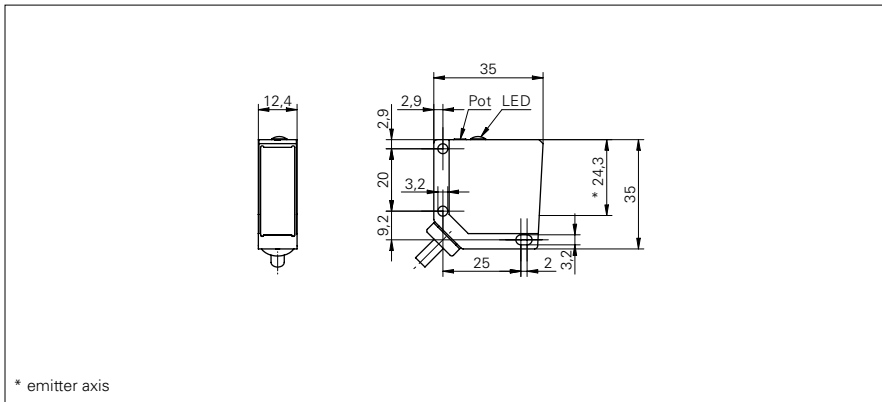


Diffuse sensors with background suppression

FHDM 12N5001

dimension drawing



general data

| | |
|-------------------------------------|------------------------|
| type | background suppression |
| light source | pulsed red LED |
| sensing distance T_w | 15 ... 300 mm |
| sensing range T_b (at T_w max.) | 15 ... 300 mm |
| sensing range T_b (at T_w min.) | 5 ... 15 mm |
| light indicator | LED yellow |
| sensing distance adjustment | mechanical, 5 turn |
| wave length | 660 nm |
| suppression of reciprocal influence | yes |

electrical data

| | |
|------------------------------------|----------------------|
| response time / release time | < 1 ms |
| voltage supply range +Vs | 10 ... 30 VDC |
| current consumption max. (no load) | 35 mA |
| current consumption typ. | 25 mA |
| voltage drop V_d | < 1,8 VDC |
| output function | light / dark operate |
| output circuit | NPN |
| output current | < 100 mA |
| short circuit protection | yes |
| reverse polarity protection | yes |

mechanical data

| | |
|------------------|------------------|
| width / diameter | 12,4 mm |
| height / length | 35 mm |
| depth | 35 mm |
| type | rectangular |
| housing material | die-cast zinc |
| front (optics) | PMMA |
| connection types | cable 4 pin, 2 m |

ambient conditions

| | |
|-----------------------|----------------|
| operating temperature | -25 ... +65 °C |
| protection class | IP 67 |

photo



connection diagram

