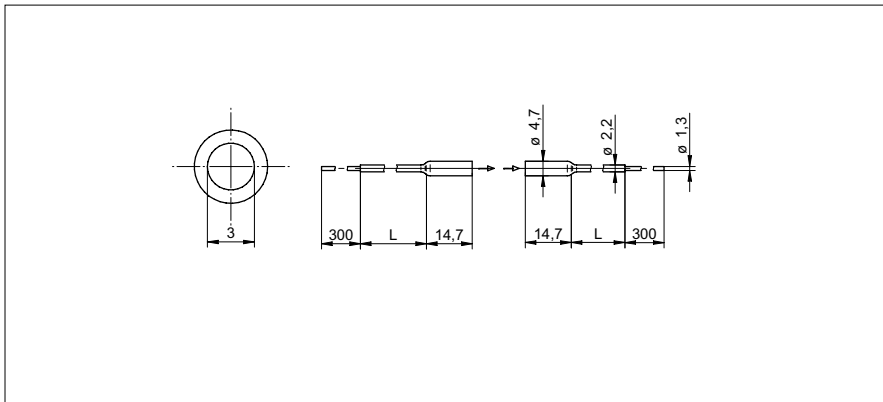


**Through beam fiber optics**

**FLC 200D2Y00**

**dimension drawing**



**general data**

type	through beam sensor
actual range Sb	4500 mm
response time / release time	0,05 ... 5 ms
type of head (fiber optic cable)	cylindrical smooth (axial)
width / diameter (head)	5 mm
height / length (head)	14,7 mm
material (head)	stainless steel
bending radius	20 mm
cable jacket diameter	2,2 mm
material cable jacket	PFA (chemically resistant)
material (fiber optic cable)	plastic
length (fiber optic cable)	2000 mm
operating temperature	-30 ... +70 °C
exit angle	± 2°

**photo**



Sensing distance/response time:

For the definitive sensing distance/response time please see table below "fitting fiber optic sensors".



- For use in chemically aggressive environments. Fiber optic sensor is fully sheathed in PFA.

fitting fiber optic sensors	actual range Sb (0,05 ms)	actual range Sb (0,25 ms)	actual range Sb (1 ms)	actual range Sb (5 ms)
FVDK 67 (standard version)	750 mm (HS)	-	3000 mm (nL)	4500 mm (HP)
FVDK 67 (2 adjustable outputs)	750 mm (HS)	-	3000 mm (nL)	4500 mm (HP)
FVDK 67 (master/slave)	750 mm (HS)	-	3000 mm (nL)	4500 mm (HP)
FVDK 66 (standard version)	-	880 mm (FT)	1500 mm (nL)	-
FVDK 66 (master/slave)	-	880 mm (FT)	1500 mm (nL)	-
FVDK 22	-	-	1100 mm (nL)	-
FVDK 12	-	-	1100 mm (nL)	-
FVDK 12 (fast version)	1050 mm (HS)	-	-	-
FVDK 10	-	-	500 mm (nL)	-
FWDK 84 (analog output)	-	-	300 mm (nL)	-

operating modes  
 HS High Speed  
 FT fast  
 nL Standard  
 HP High Sensitivity